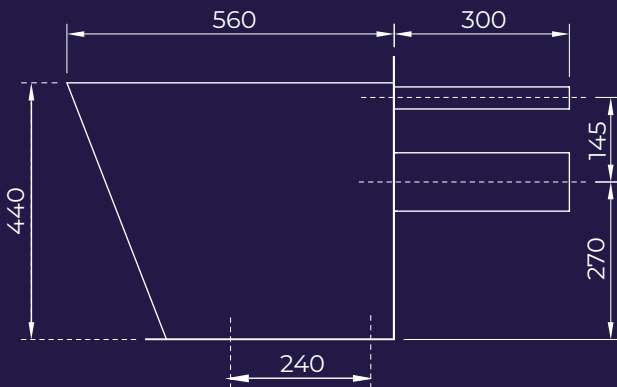
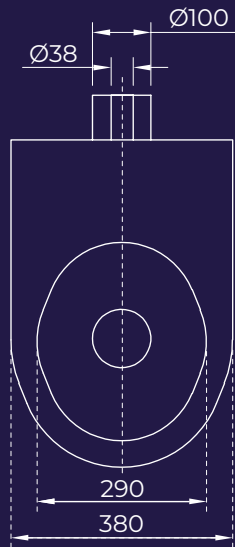
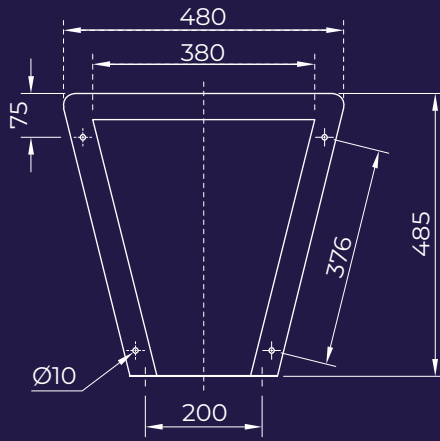




Commercial Stainless Steel

Prison Type wall and floor
mounted WC Pan

SWC-PAN-PR



Prison Type wall and floor mounted WC Pan

Stainless Steel

Features

- Grade 304 (18/10) stainless steel.
- Hygienic and durable.
- Outer body totally enclosed.
- Complies with paper removal test: SABS 497:2:006
- Complies with flushing test: SABS 1733:2007

Product specifications and dimensions

Kwikot SWC-PAN-PR Wall and floor mounted heavy duty WC pan manufactured in 1,2mm and 1,6mm thick grade 304 (18/10) stainless steel. Size: 576 x 380 x 576mm deep. Complete with pressed integral "P" trap with flanges bent outwards with mounting holes for fixing to wall and floor. Unit complete with extended pipes to fit through wall.

SWC-PAN-PR

| | |
|-------------|-----|
| Height (mm) | 576 |
| Width (mm) | 380 |
| Depth (mm) | 576 |

Pictures may vary from the actual product. Specifications may differ and will be subject to actual products (E&OE).



Gauteng
3 Aberdeen Road,
Industrial Sites, Benoni
(011) 897 4600
Sales.Inland@electrolux.com
Sales.Export@electrolux.com
Stainless.steel.za@electrolux.com

Support
za-insure@electrolux.com
(warranty and service support)
Technical.info@electrolux.com
(technical queries)

KWIKOT

www.kwikot.com