

stainless

CATERING EQUIPMENT



INDEX

Catering Sinks

KS1 Series
KS2 Series

page 1



Pot Sinks

KP1 Series
KP2 Series

page 2



Combination Catering & Pot Sinks

KP1/KS1 Series

page 3



Tables and Wall Benches

T Series
W Series

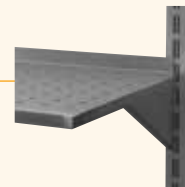
page 4



Shelving

Z Series
Modular Series

page 5



CATERING SINKS

KS1 and KS2 Series

Features

- Grade 304 (18/10) Stainless Steel 1,2mm gauge.
- Sound deadened with galvanised backing sheet
- Hygienic and durable.
- Deep hospital bead to prevent spilling.

Specifications for KS1 Series Single Bowl Catering Sink

Kwikot KS1 Single End/Centre (please specify) Bowl Catering Sink manufactured in 1,2mm thick grade 304 (18/10) stainless steel, size (please specify) with a 150mm high integral splashback to the rear and 60mm x 12mm turndown with a beaded edge on the remaining sides. The underside sprayed with vermin proof bitumastic sound deadening material and supported with a 30 x 30 x 3mm framework and galvanized mild steel backing sheet. Fitted on to 41mm Ø round stainless steel detachable legs with adjustable foot pieces. Bowl Size: 505 x 505 x 230mm deep.

Optional Accessories

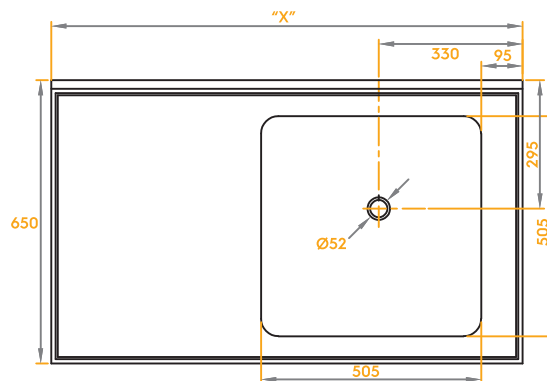
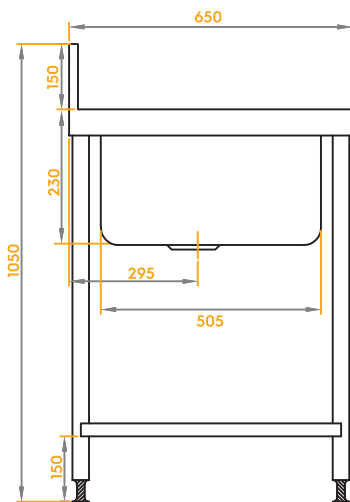
- Stainless steel solid under shelf.
- Stainless steel slatted under shelf.
- Non standard sizes on request.
- Splashback to ends.

Standard Sizes for KS1 Single Bowl Catering Sinks

product code	length(mm)	width(mm)	bowl position
SCAT-900	900	650	centre/end
SCAT-1200	1200	650	centre/end
SCAT-1500	1500	650	centre/end



KS1 Dimensions



Specifications for KS2 Series Double Bowl Catering Sink

Kwikot KS2 Double Bowl Catering Sink manufactured in 1,2mm thick grade 304 (18/10) stainless steel, size (please specify) with a 150mm high integral splashback to the rear and 60mm x 12mm turndown with a beaded edge on the remaining sides. The underside sprayed with vermin proof bitumastic sound deadening material and supported with a 30 x 30 x 3mm framework and galvanized mild steel backing sheet. Fitted on to 41mm Ø round stainless steel detachable legs with adjustable foot pieces. Bowl Size: 505 x 505 x 230mm deep.

Optional Accessories

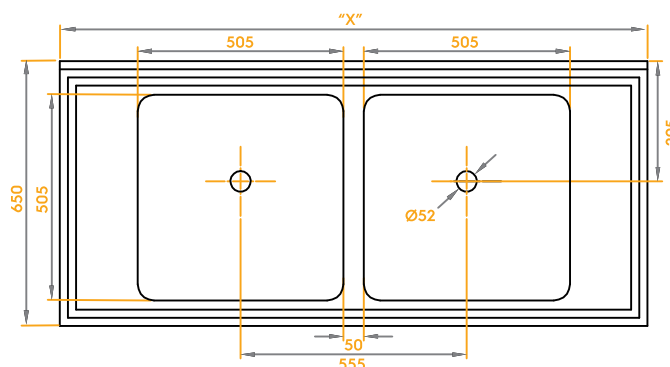
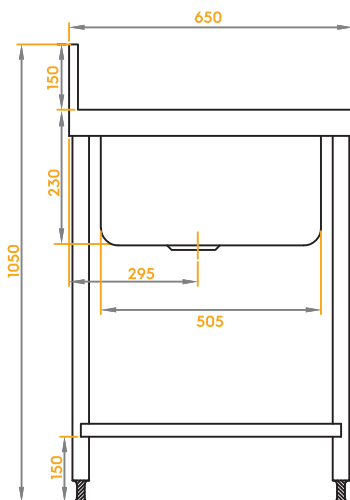
- Stainless steel solid under shelf.
- Stainless steel slatted under shelf.
- Non standard sizes on request.
- Splashback to ends.

Standard Sizes for KS2 Double Bowl Catering Sinks

product code	length(mm)	width(mm)	bowl position
SCAT-1500	1500	650	centre/end
SCAT-1850	1850	650	centre/end
SCAT-2400	2400	650	centre/end



KS2 Dimensions



POT SINKS

KP1 & KP2 Series

Features

- Grade 304 (18/10) stainless steel 1,2mm gauge.
- Sound deadened with galvanized backing sheet
- Hygienic and durable.
- Deep hospital bead to prevent spilling.

Specifications for KP1 Single Bowl Pot Sink

Kwikot KP1 Single Bowl Pot Sink manufactured in 1,2mm thick grade 304 (18/10) stainless steel, size: 900 x 650mm with a 150mm high integral splashback to the rear and 60mm x 12mm turndown with a beaded edge on the remaining sides. The underside sprayed with vermin proof bitumastic sound deadening material and supported with a 30 x 30 x 3mm framework and galvanized mild steel backing sheet. Fitted on to 41mm Ø round stainless steel detachable legs with adjustable foot pieces. Bowl Size: 760 x 460 x 380mm deep.

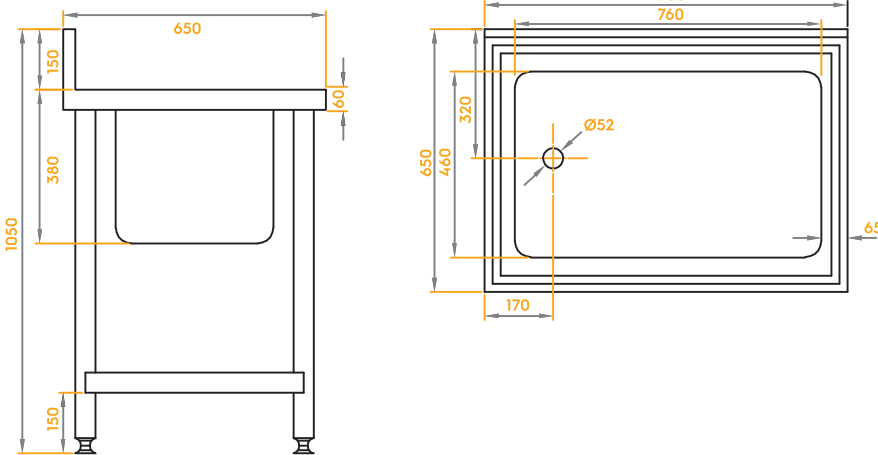
Optional Accessories

- Stainless steel solid under shelf.
- Stainless steel slatted under shelf.
- Non standard sizes on request
- Splashback to ends.



Standard Size for KP1 Single Bowl Pot Sink				
product code	length(mm)	width(mm)	depth(mm)	bowl position
SPOT-900	900	650	380	centre

KP1 Dimensions



Specifications for KP2 Double Bowl Pot Sink

Kwikot KP2 Double centre/end (please specify) bowl pot sink manufactured in 1,2mm thick grade 304 (18/10) stainless steel, size (please specify) with a 150mm high integral splashback to the rear and 60mm x 12mm turndown with a beaded edge on the remaining sides. The underside sprayed with vermin proof bitumastic sound deadening material and supported with a 30 x 30 x 3mm framework and galvanized mild steel backing sheet. Fitted on to 41mm Ø round stainless steel detachable legs with adjustable foot pieces. Bowl Size: 760 x 460 x 380mm deep.

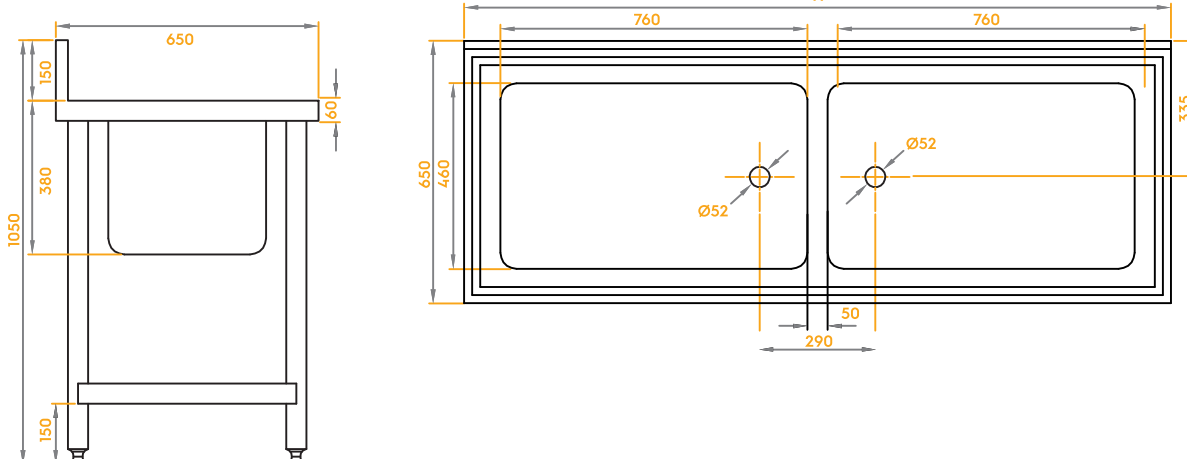
Optional Accessories

- Stainless steel solid under shelf.
- Stainless steel slatted under shelf.
- Non standard sizes on request
- Splashbacks to one or both ends.



Standard Sizes for KP2 Double Bowl Pot Sinks				
product code	length(mm)	width(mm)	depth(mm)	bowl position
SPOT-1850	1850	650	380	centre
SPOT-2400	2400	650	380	centre/end

KP2 Dimensions



COMBINATION CATERING & POT SINKS

KP1/KS1 Catering & Pot Sink

Features

- Grade 304 (18/10) Stainless Steel 1,2mm gauge.
- Sound deadened with galvanised backing sheet
- Hygienic and durable.
- Deep hospital bead to prevent spilling.

Specifications for KP1/KS1 Combination Catering and Pot Sink

Kwikot Model KP1/KS1 grade 304 (18/10) stainless steel combination catering and pot sink size 1850 x 650mm, with a 150mm high integral splashback to the rear end and 60mm x 12mm turndown with a beaded edge on the remaining sides. The underside sprayed with vermin proof bitumastic sound deadening material and supported with a 30 x 30 x 3mm framework and galvanised mild steel backing sheet. Fitted onto 41mm Ø round stainless steel detachable legs with adjustable foot pieces. Pot bowl size 760 x 460 x 380mm deep and catering bowl size 505 x 505 x 230mm deep.

Optional Accessories

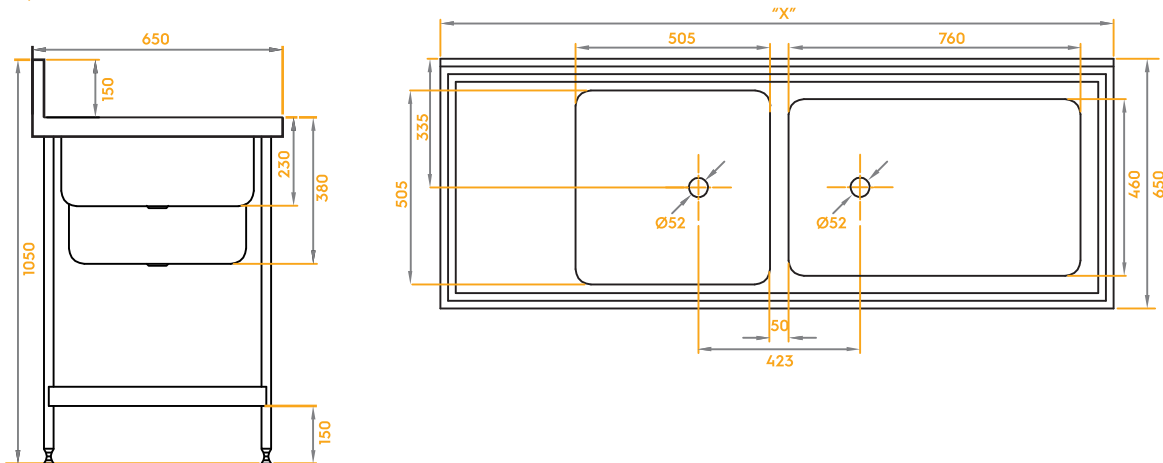
- Stainless steel solid under shelf.
- Stainless steel slatted under shelf.
- Non standard sizes on request.
- Splashback to ends.



Standard Sizes for KP1/KS1 Catering & Pot Sink

product code	length(mm)	width(mm)	catering bowl depth(mm)	pot bowl depth(mm)	bowl position
SPCAT-1850	1850	650	230	380	end
SPCAT-2400	2400	650	230	380	end

KP1/KS1 Dimensions



TABLES AND WALL BENCHES

T Series Stainless Steel Tables

Features

- Grade 304 (18/10) stainless steel 1,2mm gauge.
- Sound deadened with galvanized backing sheet
- Hygienic and durable.

Specifications for T Series Tables

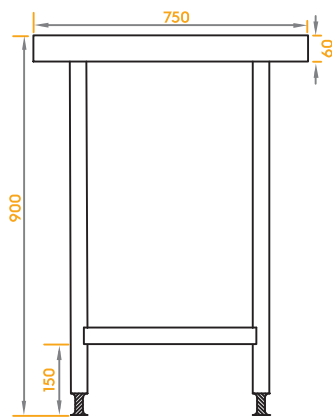
Kwikot T Series Table manufactured in 1,2mm thick grade 304 (18/10) stainless steel, size (please specify) with a 60 x 12mm turndown all round. The underside sprayed with vermin proof bitumastic sound deadening material and supported with a 30 x 30 x 3mm framework and galvanized backing sheet. Fitted on to 41mm Ø round stainless steel detachable legs with adjustable foot pieces.

Optional Accessories

- Stainless steel solid under shelf.
- Stainless steel slatted under shelf.
- Non standard sizes on request.

product code	length(mm)	width(mm)
STAB-1500	1500	750
STAB-1800	1850	750
STAB-2400	2400	750

T Series Dimensions



W Series Stainless Steel Wall Benches

Features

- Grade 304 (18/10) stainless steel 1,2mm gauge.
- Sound deadened with galvanized backing sheet
- Hygienic and durable.
- Splashback to the back.

Specifications for W Series Wall Benches

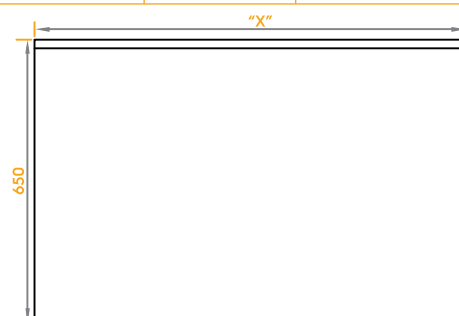
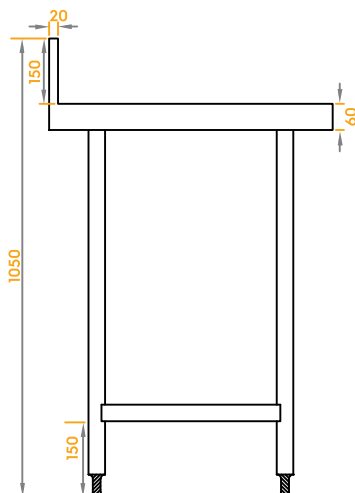
Kwikot W Series Wall Bench manufactured in 1,2mm thick grade 304 (18/10) stainless steel, size (please specify) with a 150mm splashback to the back and 60 x 12mm turndown on remaining sides. The underside sprayed with vermin proof bitumastic sound deadening material and supported with a 30 x 30 x 3mm framework and galvanized backing sheet. Fitted on to 41mm Ø round stainless steel detachable legs with adjustable foot pieces.

Optional Accessories

- Stainless steel solid under shelf.
- Stainless steel slatted under shelf.
- Non standard sizes on request.
- Splashbacks to one or both ends.

product code	length(mm)	width(mm)
SWB-1500	1500	650
SWB-1850	1850	650
SWB-2400	2400	650

W Series Dimensions



SHELVING

Z Series Shelving (solid or perforated shelves)

Features

- Grade 304(18/10) Stainless Steel.
- Durable and hygienic.
- Easy to assemble, expand and adjust.

Specifications for Z Series Shelving (solid or perforated shelves)

Kwikot Z Series Adjustable Shelving, size (please specify), manufactured from 1,2mm thick grade 304 (18/10) stainless steel. One piece solid or perforated (please specify) shelf with integrated brackets and a 25mm apron to front and sides, with 30mm turn up at back and safety edge on corners. An additional offer is the compatible Kwikot Z Series 1000mm/1500mm/1800mm sizes (please specify) long single/double (please specify) slotted Wall Bands manufactured from 1,2mm thick grade 304 (18/10) stainless steel. (Custom sizes of Shelves and Wall Bands are also available on request)

Standard Sizes for Z Series Shelving			
product code	length(mm)	width(mm)	finish
SSZSS-900-300	900	300	Solid
SSZSS-900-400	900	400	Solid
SSZSS-1200-300	1200	300	Solid
SSZSS-1200-400	1200	400	Solid
SSZPS-900-300	900	300	Perforated
SSZPS-900-400	900	400	Perforated
SSZPS-1200-300	1200	300	Perforated
SSZPS-1200-400	1200	400	Perforated

Standard Sizes for Wall Bands		
product code	length(mm)	slotted
SSWBSZ-1000	1000	single
SSWBSZ-1800	1800	single
SSWBDZ-1000	1000	double
SSWBDZ-1800	1800	double



Modular Shelving (solid or perforated shelves)

Features

- Grade 304(18/10) Stainless Steel.
- Durable and hygienic.
- Easy to assemble, expand and adjust.

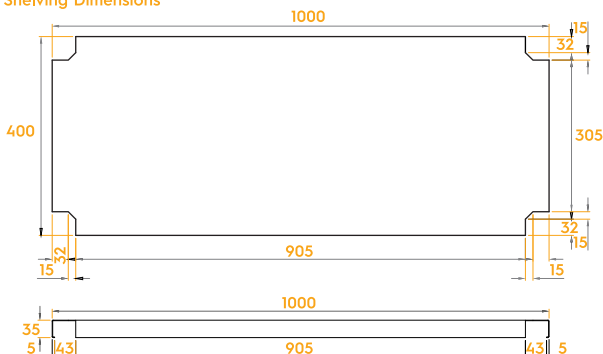
Specifications for Modular Shelving (solid or perforated shelves)

Kwikot Modular Shelving Solid or Perforated Shelves (please specify), size (please specify), manufactured from 1,2mm thick grade 304 (18/10) stainless steel with die cast aluminium corner brackets for fixing to 25mm Ø vertical posts. Vertical posts manufactured from 1,2mm thick 25mm Ø stainless steel and fitted with end caps at one end and adjustable foot pieces and full set of 4 posts. (Custom sizes of Shelves and Posts are also available on request).

Standard Sizes for Modular Shelving			
product code	length(mm)	width(mm)	finish
SSMSS-900-400	900	400	Solid
SSMSS-1200-400	1200	400	Solid
SSMPS-900-400	900	400	Perforated
SSMPS-1200-400	1200	400	Perforated



Shelving Dimensions





stainless

CATERING EQUIPMENT

Electrolux SA (Pty) Ltd

Inland

3 Aberdeen Road,
Industrial Sites,
Benoni
Tel: (011) 897 4600
Email: Sales.Inland@electrolux.com
Sales.Export@electrolux.com

Eastern Cape

39-41 Leadwood Crescent,
Fairview,
Port Elizabeth
Tel: (041) 399 4000
Email: Sales.Easterncape@electrolux.com

Western Cape

15 Purdey Road,
Sheffield Business Park, Phillippi,
Cape Town
Tel: (021) 690 2700
Email: Sales.Westerncape@electrolux.com

Kwazulu-Natal

814 Peter Close,
Springfield Park,
Durban
Tel: (031) 574 8700
Email: Sales.Kwazulunatal@electrolux.com

Support

Email: Kwikot.MarketingInfo@electrolux.com