



COMMERCIAL

stainless steel



**HOSPITAL
EQUIPMENT**
plaster of paris
preparation sink
MODEL POPGL

HOSPITAL EQUIPMENT - PLASTER OF PARIS PREPARATION SINK



COMMERCIAL

stainless steel

PLASTER OF PARIS PREPARATION SINK MODEL POPGL

features

- Grade 304(18/10) Stainless Steel
- Hygienic and durable
- Plaster bowl with removable strainer and lid
- Hospital bead to prevent spillage
- Rinse bowl discharging into plaster bowl

specifications for model POPGL plaster of paris preparation sink

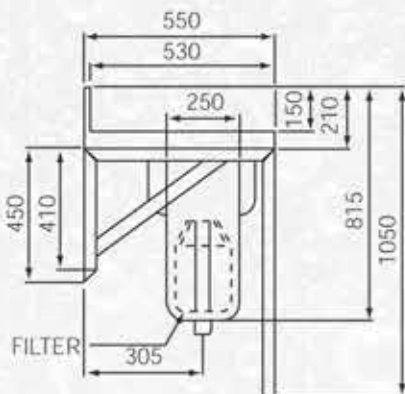
Kwikot Model POPGL size 1500 x 550mm Plaster of Paris preparation sink, with a 150mm high integral splashback to the rear. The unit is fitted with a preparation bowl measuring 550 x 375 x 230mm deep with a waste outlet discharging into a cylinder measuring 250mm round 625mm deep. Waste cylinder fitted with Stainless Steel lid and removeable strainer with provision for 40mm \varnothing round waste outlet. The underside of the draining board fitted with mild steel galvanised backing sheet and supporting frame. Unit to be fitted with 40 x 40mm square Stainless Steel gallows brackets and 40mm square Stainless Steel front legs with adjustable foot pieces OR four 41mm \varnothing round legs with adjustable foot pieces.



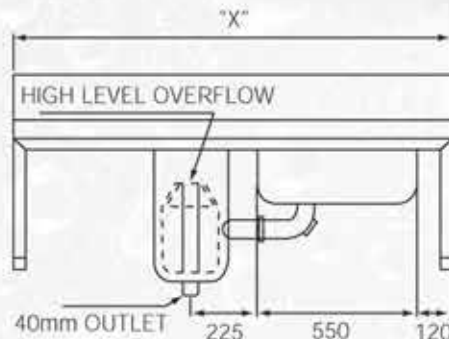
MODEL POPGL



standard sizes for model POPGL plaster of paris preparation sink



PLAN VIEW



END VIEW

LENGTH (mm)	WIDTH (mm)
1320	550
1500	550

Electrolux SA (Pty) Ltd



www.electrolux.co.za

inland division
3 Aberdeen Road,
Industrial Sites,
Benoni
Tel: (011) 897 4600

eastern cape division
31-34 Leadwood Crescent,
Fairview,
Port Elizabeth
Tel: (041) 399 4000
Fax: (041) 367 1005

western cape division
15 Purdey Road,
Sheffield Business Park, Phillippi,
Cape Town
Tel: (021) 690 2700
Fax: (021) 690 2800

kwazulu-natal division
814 Peter Close,
Springfield Park,
Durban
Tel: (031) 574 8700
Fax: (031) 574 8750