



Kwikboil

Instant boiling water dispensers

Add warmth to life.



Instant boiling water dispensers

Boiling Water On Tap, 24/7

Features

- Modern and aesthetically appealing
- Stainless steel or white epoxy outer casing
- On tap boiling water
- Wall mounted
- Fully automatic
- Advanced electronic controls
- Safe, hygienic and energy efficient
- Steam free and convenient
- Diagnostic PC board for fault finding



Technical info



Product Code (White Epoxy)	Kwikboil 2.5	Kwikboil 5	Kwikboil 7.5	Kwikboil 10	Kwikboil 15	Kwikboil 25
Nominal storage capacity	2,5L	5L	7,5L	10L	15L	25L
Initial draw-off (-180ml cups)	15	30	45	60	100	150
Recovery per min (180ml cups)	2	2	2	2	2,5	3
First hour delivery (180ml cups)	120	135	150	175	200	270
Approx. time for 1st cup (min)	6	7	7	10	11	11
Heating element input (kW)	1.8	2,0	2,0	2,0	2,4	3,0
Min. supply pressure (kPa)	20	20	20	20	20	20
Max. supply pressure (kPa)	1000	1000	1000	1000	1000	1000
Approx. weight empty (kg)	6,6	8,5	8,7	10	11,2	14,2
Approx weight full (kg)	10,7	16,3	18,3	25,5	30,4	47,2

Product Code (Stainless Steel)	Kwikboil 2.5 SS	Kwikboil 5 SS	Kwikboil 7.5 SS	Kwikboil 10 SS	Kwikboil 15 SS	Kwikboil 25 SS
--------------------------------	-----------------	---------------	-----------------	----------------	----------------	----------------

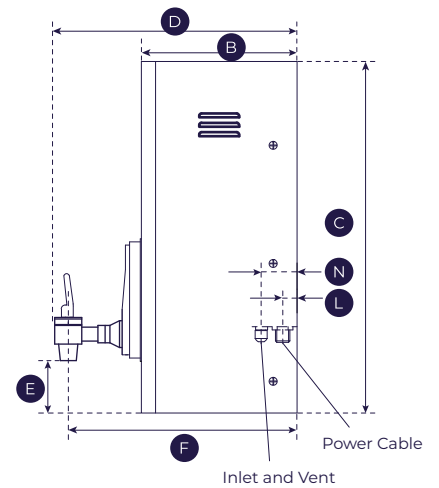
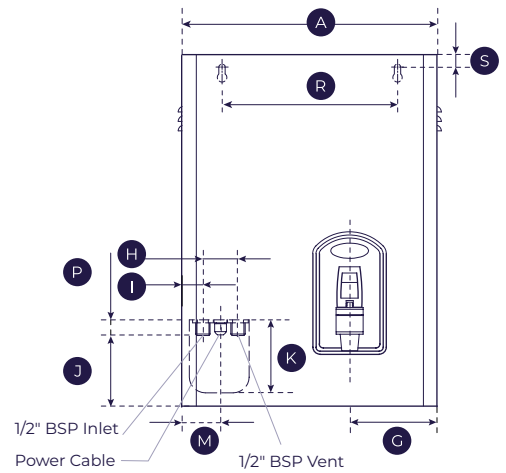


NB. Operates at 230 Volts AC, 50 Hz single phase electricity. Flexible 1,5m electrical cord with a 3 pin plug fitted to all units.

Kwikboil 2.5 / 5 / 7.5 / 10 / 15 White Epoxy or Stainless Steel

2,5 Litre	5 Litre	7,5 Litre	10 Litre	15 Litre	
275	320	320	348	370	A
165	195	195	225	230	B
365	448	448	460	513	C
263	293	293	323	328	D
82	82	82	82	82	E
243	273	273	303	306	F
110	110	110	137	140	G
44	44	44	44	44	H
28	28	28	28	28	I
90	90	90	90	90	J
93	93	93	93	93	K
18	18	18	18	18	L
49	49	49	49	49	M
45	45	45	45	45	N
20	20	20	20	20	P
220	220	220	220	220	R
16	16	16	16	16	S
N/A	N/A	N/A	N/A	N/A	T

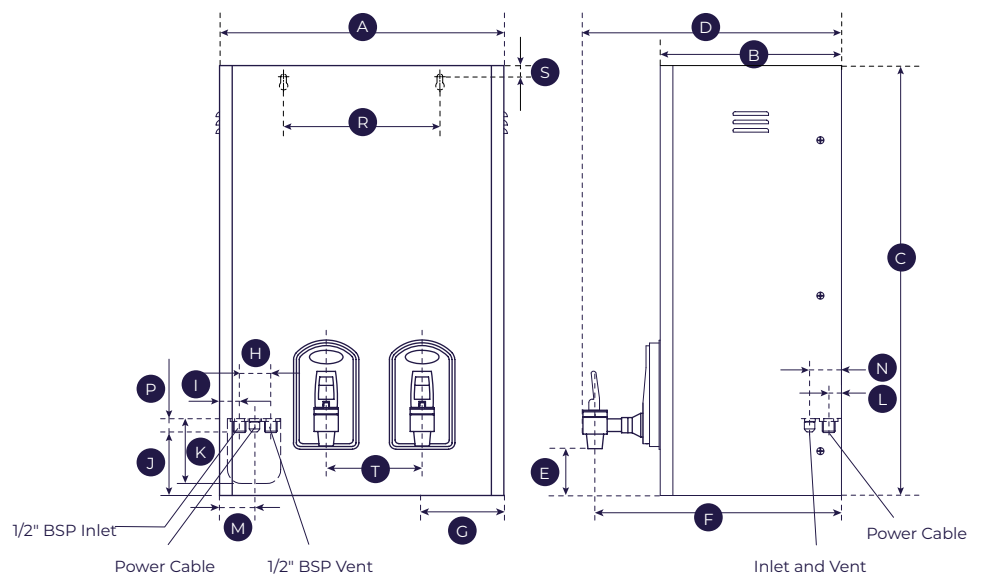
Product dimensions (mm)



Kwikboil 25 White Epoxy or Stainless Steel

25 Litre			
400	A	90	J
255	B	93	K
613	C	18	L
353	D	49	M
82	E	45	N
333	F	20	P
115	G	220	R
44	H	16	S
28	I	135	T

Product dimensions (mm)



Product specifications

Diagnostic PC Board

The unit is fitted with self diagnostics and indicative LED lights. The self diagnostic features programmed into the PC board, enables the unit to determine if a component is faulty, or if there is a fault in the heating and/or filling modes i.e. if there is no water connected.

Diagnostic faults are indicated on the front LED's of the face plate and on the PC board, with the respective component LED, e.g. "SL" indicates Solenoid Valve. The respective LED will flash when a fault is detected.

Maintenance

The water level probe must be cleaned on a regular basis to remove scale build up. To download the cleaning instructions, go to: www.kwikot.com/globalassets/kwikot-homepage/products/manualbrochure/kwikboil-level-probe-cleaning-instructions-aug-20152.pdf

Product accessories



KB-SSTRAY
Stainless Steel Drip Tray

Specifications

Outer Dimensions (mm)	335 x 255
Inner Dimensions (mm)	300 x 235
Depth (mm)	50

Pictures may vary from the actual product. Specifications may differ and will be subject to actual products (E&OE).

Product warranty

- One year warranty is calculated from the date of sale of the unit, as verified by **Kwikot SA (Pty) Ltd** from the information contained in the company's records, and to the following conditions:
- The Kwikboil boiling water dispenser must be installed in accordance with the manufacturer's installation instructions, supplied with the unit and all statutory requirements of the geographical area in which the unit is to be installed.
- Where the failed component of the boiling water dispenser is replaced under warranty, the balance of the original warranty period will remain effective. The replaced component or complete boiling water dispenser does not carry a new warranty and the warranty period of the original unit is not extended for an additional period.
- The warranty only applies to the Kwikboil boiling units and therefore, does not cover any plumbing or electrical parts supplied by the installer and not an integral part of the boiling water unit e.g. pressure control valve, stop cock, electrical switches or fuses.
- The warranty is applicable in South Africa, Namibia, Lesotho, Swaziland and Botswana and is subject to water conditions equivalent to main Metropolitan supply authorities.
- This is the only guarantee given, and it expressly excludes all other warranties, expressed or implied in law, including any implied warranty of merchant ability or fitness for a particular purpose. No amendments or additions to the warranty shall be binding on **Kwikot SA (Pty) Ltd**.



KWIKOT

Gauteng
3 Aberdeen Road,
Industrial Sites, Benoni
(011) 897 4600

www.kwikot.com