



# Superline 400/600 Dual

Domestic electric water heaters

**Add warmth to life.**

# Domestic electric water heater

Superline 400 Dual

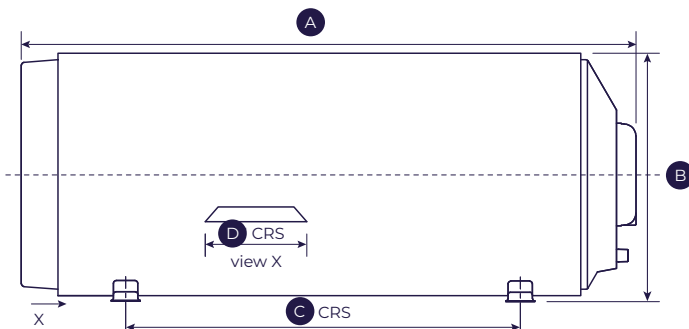
DSG-200-5



## Features

- The Kwikot Superline 400 Dual is a high pressure electric water heater available in a 50L, 100L, 200L and 250L and are SANS 151 400kPa approved.
- The inner cylinder is manufactured from enamel quality steel and is thermofused porcelain enameled for corrosion protection and hygiene.
- A lower energy loss, a more efficient electric water heater. B rating energy efficient due to an increase in the polyurethane insulation between the inner cylinder and the galvanised outer casement.
- Renewable energy ready for a solar retrofit system or a heat pump.
- The units can be installed horizontally or vertically. (See product installation data).
- Renewable energy ready connection.

## Technical info



Product Code	DSG-050-5	DSG-100-5	DSG-200-5	DSG-250-5
Capacity (Litres)	50	100	200	250
Element Rating (kW)	2	2	4	4
Operating Pressure (kPa)	up to 400	up to 400	up to 400	up to 400
Mass Empty (kg)	19	28	45	57
Connections Male Iron (mm)	20	20	20	20
Dimensions A (mm)	535	932	1331	1635
Dimensions B (mm)	543	543	596	630
Dimensions C (mm)	135	510	855	1145
Dimensions D (mm)	355	355	355	355

## Installation data

The Kwikot Superline 400 Dual must be installed in compliance with SANS 10254 installation and maintenance of electric storage water heaters. A Kwikot temperature and pressure safety valve and a Kwikot drain cock are both supplied with the water heater. A SANS approved pressure control valve, drip tray and vacuum breakers must form part of the installation and must be purchased additionally.

The Kwikot Superline 400 Dual water heater is IPX4 rated.

The 50L, 100L and 200L can be installed horizontally on the floor (in the roof and wall mounted vertically or horizontally left hand, or horizontally right hand, except the 250L. NB. The maximum wall mount water heater capacity is 200 litres. Wall installation of a 200L water heater is not recommended by Kwikot, unless the reliability and strength of the wall is determined beforehand by a suitably qualified construction person. The 200L can also be installed vertically using a floor stand.

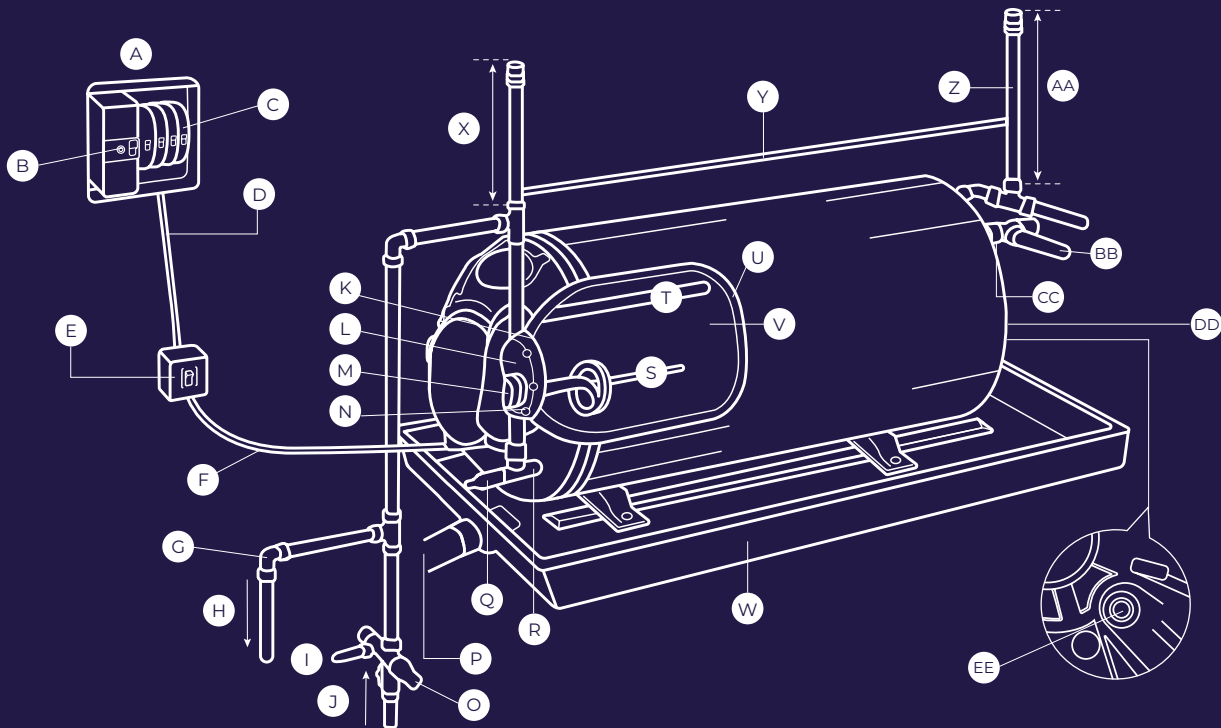
The weight of the water heater when completely full must be taken into account. The 250L water heater must be floor mounted or mounted vertically on a floor stand, which is available from Kwikot. The 250L water heater must not be wall mounted unless gallows brackets are used, part no. IND-200-B.

In a horizontal wall mounting installation, the brackets (feet) need to be moved by 90 to the alternative holes in the outer casement. In a vertical wall mounting installation, the brackets (feet) are not moved to the alternative holes in the outer casement. **Kwikot SA (Pty) Ltd** cannot be held responsible should a water heater pull out or fall off a wall. The installation is the responsibility of the installer.

The following minimum installation clearance must be allowed for on each side in the event of having to remove the element, thermostat or the anode: 50L - 400mm; 100L - 600mm; 200L - 1000mm and 250L - 1200mm.

## Installation diagram - Horizontal roof and floor

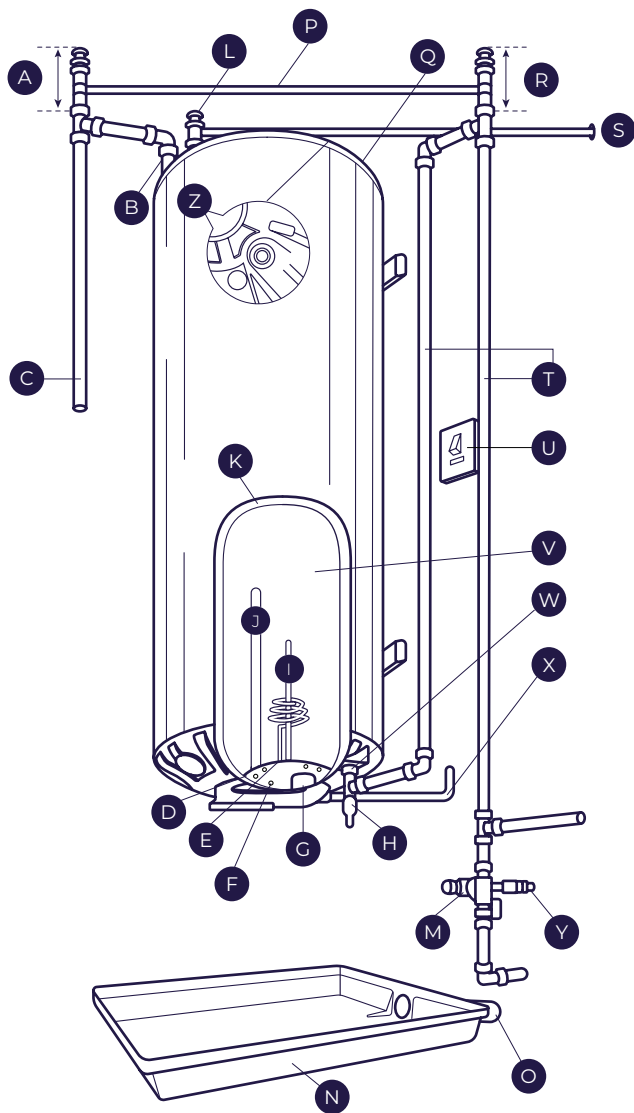
Superline Dual Electric Water Heater (400kPa) - SANS 10254 installation compliant.



- |   |   |   |
|---|---|---|
| A Distribution board  | K Flange gasket (100mm)                         | V Thermofused porcelain enamel lining                   |
| B Earth leakage - 60 amp  | L Flange (100mm)                                | W Water heater tray                                     |
| C Water heater circuit breaker  | M Thermostat T105, 20 amp                       | X Vacuum breaker 300mm height (cold side)               |
| D Cable size, minimum of 2,5mm  | N Earth stud                                    | Y Earth bonding strap between hot and cold water        |
| E Isolating switch within 1m from electrical connection on water heater | O Pressure control valve (400kPa)               | Z Hot water outlet                                      |
| F Electrical supply to be connected by a qualified electrician          | P Water heater tray overflow pipe, minimum 40mm | AA Vacuum breaker 300mm height (hot side)               |
| G Copper pipe   | Q Drain cock                                    | BB Overflow pipe to exterior of building, 20mm metallic |
| H Balanced pressure cold water to multiple outlets                      | R Cold water inlet                              | CC Safety valve (400kPa)                                |
| I Cold water inlet from water main                                      | S Spiral element                                | DD Service access to the 2nd anode                      |
| J Expansion overflow to exterior of building                            | T Anode   | EE Renewable energy ready connection on back end dome   |
|   | U Urethane insulation                           |   |

# Installation specifications - Vertical wall

Superline Dual Water Heater (400kPa) - Sans 10254 installation compliant.



- A Vacuum breaker, 300mm height (hot side)
- B Hot water outlet
- C Copper pipe
- D Flange (100mm)
- E Flange gasket (100mm)
- F Earth stud
- G Thermostat T105, 20 amp
- H Drain cock
- I Spiral element
- J Anode
- K Urethane insulation
- L Safety valve (400kPa)
- M Pressure control valve (400kPa)
- N Water heater tray
- O Water heater tray overflow pipe, minimum 40mm
- P Earth bonding strap between hot and cold water
- Q Service access to the 2nd anode
- R Vacuum breaker 300mm height (hot side)
- S Overflow pipe to exterior of building, 20mm metallic
- T Copper pipes
- U Isolating switch within 1m from electrical connection on water heater
- V Thermofused porcelain enamel lining
- W Cold water inlet from water main
- X Cable Size, minimum of 2,5mm<sup>2</sup>
- Y Expansion overflow to exterior of building
- Z Renewable energy ready connection on back end dome

## Product warranty

- The period of warranty is from the date of installation providing that documentation of proof of installation is furnished, or alternatively from date of manufacture as determined from the serial plate on the end dome.
- The warranty is subject to only genuine Kwikot Water Care replacement parts (spiral element and thermostat etc.) been used, whilst the inner cylinders are still under warranty.
- The warranties are applicable to South Africa, Namibia, Lesotho, Swaziland and Botswana and are subject to water conditions equivalent to main Metropolitan supply authorities.
- Five years on the inner cylinder.
- One year on the spiral element, thermostat, isolator switch, flange assembly plate and gasket.
- Two years on the safety valve and drain cock.
- The warranty on the installation is the responsibility of the installer.



**KWIKOT**

# Domestic electric water heater

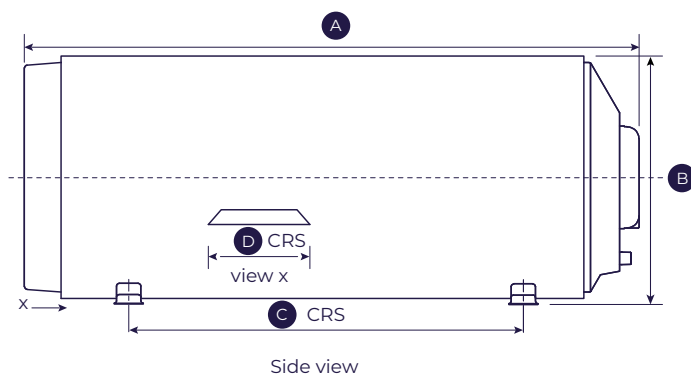
Superline 600 Dual

DSG-150



## Technical info

- The Kwikot Water Care Superline 600 Dual is a high pressure electric water heater available in a 150L and is SANS 151 600kPa approved.
- The inner cylinder is manufactured from enamel quality steel and is thermofused porcelain enameled for corrosion protection and hygiene.
- A lower energy loss, a more efficient electric water heater. B rating energy efficient.
- The polyurethane insulation between the inner cylinder and the outer galvanised casement is 128% thicker, resulting in the hourly standing heat loss decreasing from 108 watts per hour to 50 watts per hour, a 50% decrease versus previous D rated energy efficient water heaters.
- Renewable energy ready for a solar retrofit system or a heat pump.
- The units can be installed horizontally or vertically. (See product installation data and specifications).



## Features

Capacity (Litres)

**150**

Element Rating (kW)

**3**

Operating Pressure (kPa)

**up to 600**

Mass Empty (Kg)

**39**

Connections Male Iron (mm)

**20**

Dimensions A (mm)

**1320**

Dimensions B (mm)

**543**

Dimensions C (mm)

**865**

Dimensions D (mm)

**355**

# Specification data

Complies to SANS 151 specifications.

## Installation data

The Kwikot Water Care Superline 600 Dual must be installed in compliance with SANS 10254 installation and maintenance of electric storage water heaters.

A Kwikot Water Care temperature and pressure safety valve, and a Kwikot Water Care drain cock are both supplied with the water heater. A SANS approved pressure control valve, drip tray and vacuum breakers must form part of the installation and must be purchased additionally. The Kwikot Water Care Superline 600 Dual is IPX4 rated. The 150L can be installed horizontally on the floor (in the roof) and wall mounted vertically or horizontally left hand, or horizontally right hand.

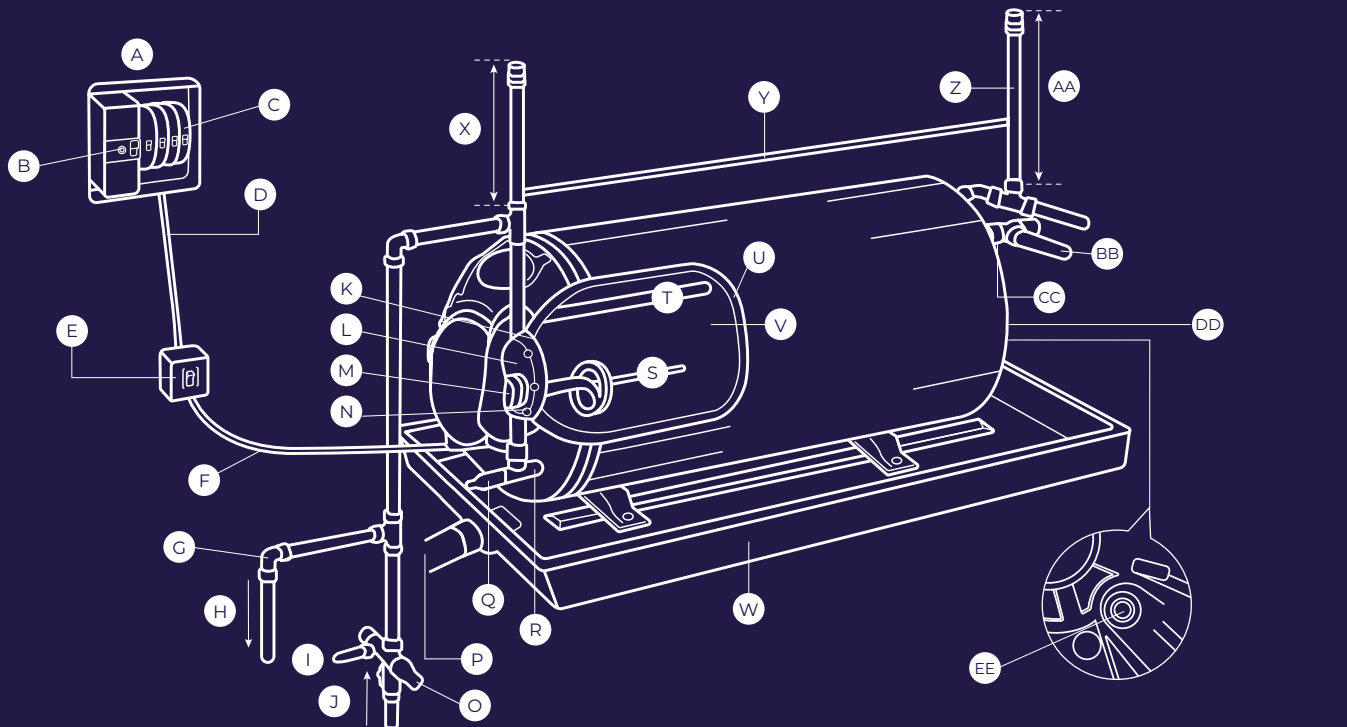
In a horizontal wall mounting installation, the brackets (feet) need to be moved by 90° to the alternative holes in the outer casement. In a vertical wall mounting installation, the brackets (feet) are not moved to the alternative holes in the outer casement. **Kwikot SA (Pty) Ltd** cannot be held responsible should a water heater pull out or fall off a wall.

The installation is the responsibility of the installer.

The following minimum installation clearance must be allowed for on each side in the event of having to remove the element, thermostat or the anode: 150L - 800mm.

## Installation diagram - Horizontal roof and floor

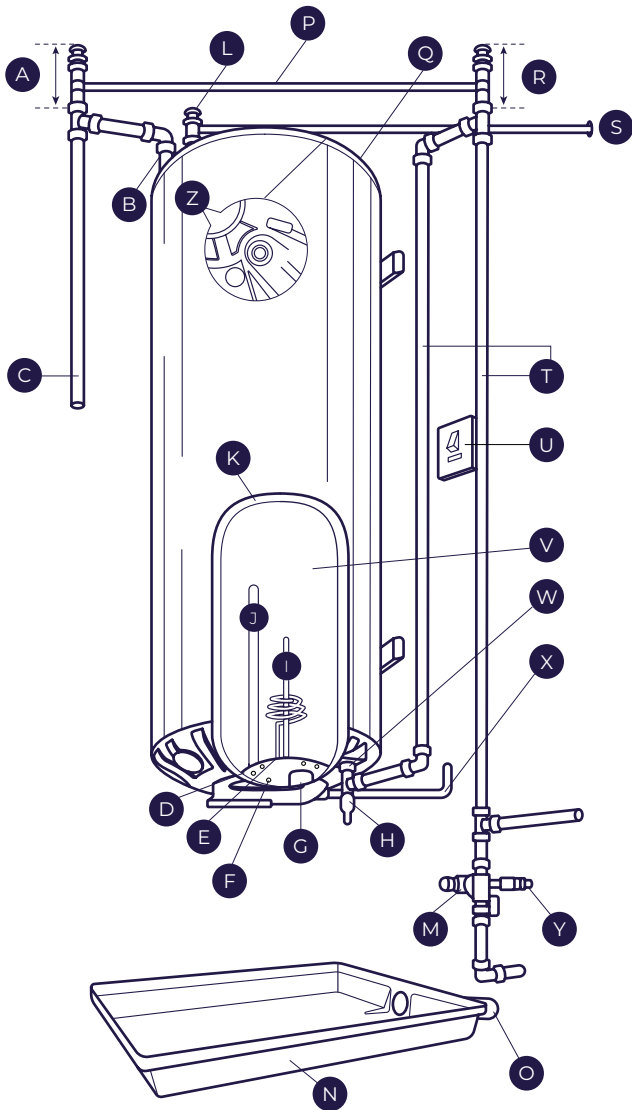
Superline Dual Electric Water Heater (600kPa) - SANS 10254 installation compliant.



- |   |   |   |
|---|---|---|
| A Distribution board  | K Flange gasket (100mm)                         | V Thermofused porcelain enamel lining                   |
| B Earth leakage - 60 amp  | L Flange (100mm)                                | W Water heater tray                                     |
| C Water heater circuit breaker  | M Thermostat T105, 20 amp                       | X Vacuum breaker 300mm height (cold side)               |
| D Cable size, minimum of 2,5mm  | N Earth stud                                    | Y Earth bonding strap between hot and cold water        |
| E Isolating switch within 1m from electrical connection on water heater | O Pressure control valve (400 kPa or 600kPa)    | Z Hot water outlet                                      |
| F Electrical supply to be connected by a qualified electrician          | P Water heater tray overflow pipe, minimum 40mm | AA Vacuum breaker 300mm height (hot side)               |
| G Copper pipe   | Q Drain cock                                    | BB Overflow pipe to exterior of building, 20mm metallic |
| H Balanced pressure cold water to multiple outlets                      | R Cold water inlet                              | CC Safety valve (600 kPa)                               |
| I Cold water inlet from water main                                      | S Spiral element                                | DD Service access to the 2nd anode                      |
| J Expansion overflow to exterior of building                            | T Anode   | EE Renewable energy ready connection on back-end dome   |
|   | U Urethane insulation                           |   |

# Installation diagram - Vertical wall

Superline Dual Electric Water Heater (600kPa) - SANS 10254 installation compliant.



A Vacuum breaker, 300mm height (hot side)  
 B Hot water outlet  
 C Copper pipe  
 D Flange (100mm)  
 E Flange gasket (100mm)  
 F Earth stud  
 G Thermostat T105, 20 amp  
 H Drain cock  
 I Spiral element

J Anode  
 K Urethane insulation  
 L Safety valve (600kPa)  
 M Pressure control valve (400kPa or 600kPa)  
 N Water heater tray  
 O Water heater tray overflow pipe, minimum 40mm  
 P Earth bonding strap between hot and cold water  
 Q Service access to the 2nd anode  
 R Vacuum breaker 300mm height (hot side)

S Overflow pipe to exterior of building, 20mm metallic  
 T Copper pipes  
 U Isolating switch within 1m from electrical connection on water heater  
 V Thermofused porcelain enamel lining  
 W Cold water inlet from water main  
 X Cable Size, minimum of 2,5mm<sup>2</sup>  
 Y Expansion overflow to exterior of building  
 Z Renewable energy ready connection on back end dome

## Product warranty

- The period of warranty is from the date of installation providing that documentation of proof of installation is furnished, or alternatively from date of manufacture as determined from the serial plate on the end dome.
- The warranty is subject to only genuine Kwikot Water Care replacement parts (spiral element and thermostat etc.) been used, whilst the inner cylinders are still under warranty.
- The warranties are applicable to South Africa, Namibia, Lesotho, Swaziland and Botswana and are subject to water conditions equivalent to main Metropolitan supply authorities.
- Five years on the inner cylinder.
- One year on the spiral element, thermostat, isolator switch, flange assembly plate and gasket.
- Two years on the safety valve and drain cock.
- The warranty on the installation is the responsibility of the installer.

Pictures may vary from the actual product. Specifications may differ and will be subject to actual product (E&OE).



**K**  
**KWIKOT**

Gauteng  
 3 Aberdeen Road,  
 Industrial Sites, Benoni  
 (011) 897 4600

[www.kwikot.com](http://www.kwikot.com)