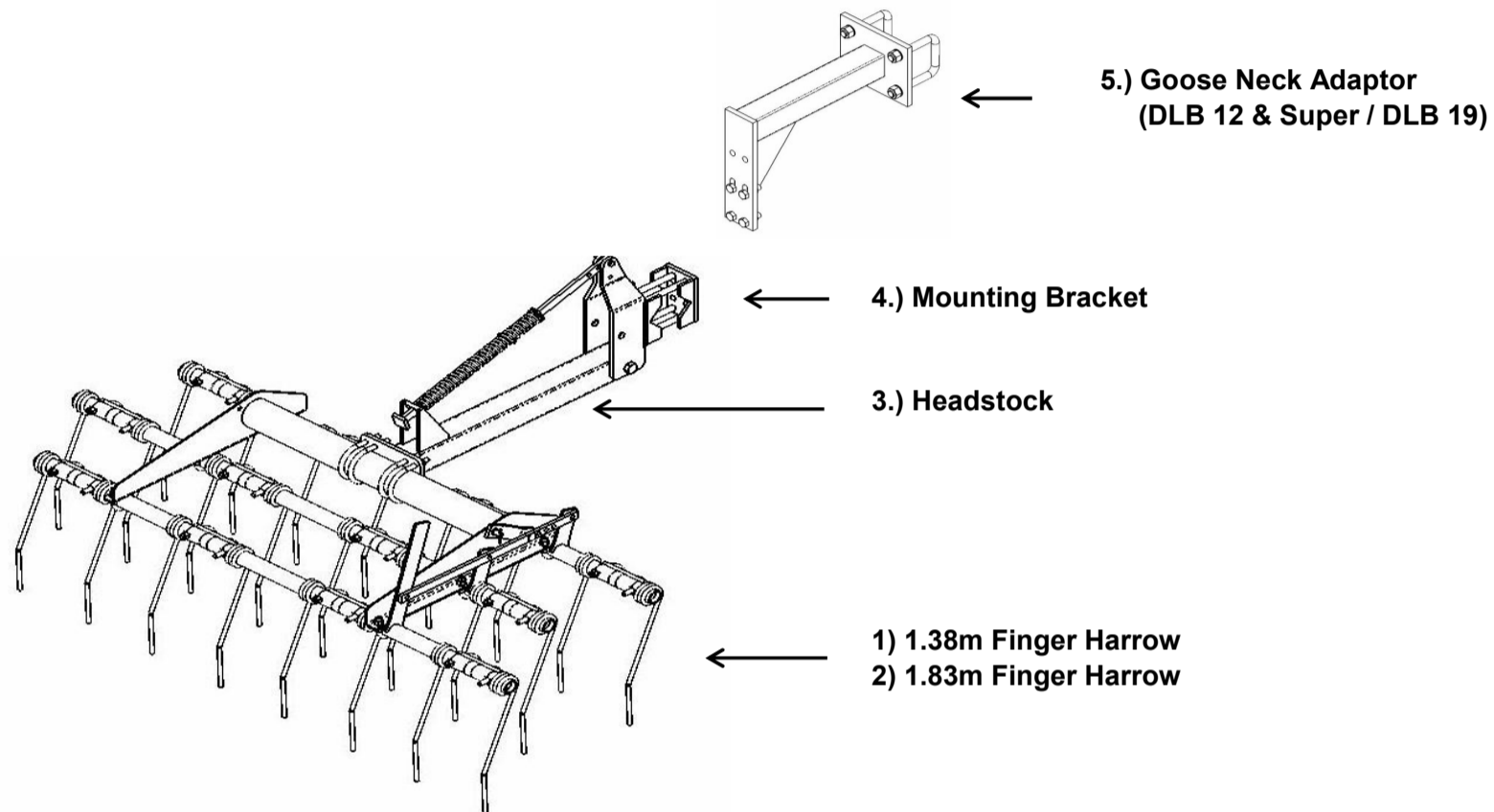


## ROVIC - Finger Harrows

### Finger Harrows (Rovic)



Complete Finger harrow <i>Invoiced as follows;</i>	Description
JS53300 + JS53302 +JS53303	1.38m Finger harrow complete
JS53301 + JS53302 +JS53303	1.83m Finger harrow complete

#### Individual components

Part no.	Description	Item
JS53300	1.38m Finger harrow only	1
JS53301	1.83m Finger harrow only	2
JS53302	Spring rod arm	3
JS53303	Harrow mounting bracket	4
JE53492	Goose neck adaptor for DLB12 & Super/DLB 19 Frames	5

**Note!** Suggested layout of 'Finger Harrows' on implements (Can be changed)

#### S-Tine implements

##### MKII - Handcult (3-Point)

Part no.	w/width m	1.38m JS53300	1.83m JS53301	Spring arm JS53302	Bracket JS53303	Goose neck JE53492
JSD3200-1.6M	1.6m		1	1	1	
JSD3200-2.9M	2.9m	1	1	2	2	
JSD3200-3.5M	3.5m		2	2	2	
JSD3200-4.7M	4.7m	1	2	3	3	

##### MKIV - Fieldspan (Trailed)

Part no.	w/width m	1.38m JS53300	1.83m JS53301	Spring arm JS53302	Bracket JS53303	Goose neck JE53492
JSS3100-5.7M	5.7m	3	1	4	4	
JSS3100-7.5M	7.5m	3	2	5	5	
JSS3100-9.3M	9.3m	4	2	6	6	
JSS3100-11.2M	11.2m		6	6	6	

**590 Edge-on / HD S-Tine Implements**

**Trash Handicult (3-Point)**

Part no.	w/width m	1.38m JS53300	1.83m JS53301	Spring arm JS53302	Bracket JS53303	Goose neck JE53492
JV55985	2.9m	2		2	2	
JV55990	5.2m	4		4	4	
JV56000	7.0m		4	4	4	

**Trash Fieldspan (Trailed)**

JSS3000-8.6M (5 Balk)	8.6m	5	1	6	6	
JSS3000-9.8M (4 Balk)	9.8m	6	1	7	7	
JSS3000-12.2M (4 Balk)	12.2m	9		9	9	
JF58195 (6 Rank)	8.7m	4	2	6	6	
JF58200 (6 Rank)	10.0m	2	4	6	6	
JF58700 (6 Rank)	12.0m	4	4	8	8	
JF58600 (6 Rank)	15.0m	4	6	10	10	

**DLB 12 Chisel plough implements**

Frame	w/width m	1.38m JS53300	1.83m JS53301	Spring arm JS53302	Bracket JS53303	Goose neck JE53492
5t 3-point	1.5m		1	2		2
7t 3-point	2.1m		1	1		1
9t 3-point	2.7m	2		2		2
11t 3-point	3.3m	1	1	2		2
13t 3-point	3.9m	3		3		3
15t 3-point	4.5m	2	1	3		3
19t 3-pt / folding	5.7m	3	1	4		4
21t 3-pt / folding	6.3m	2	2	4		4
23t 3-pt / folding	6.9m	1	3	4		4
23t Trailed / folding	6.9m	1	3	4		4
25t Trailed / folding	7.5m	3	2	5		5
27t Trailed / folding	8.1m	6		6		6

**SUPER / DLB 19 Ripper Tine implements**

Frame	spacing mm	w/width m	1.38m JS53300	1.83m JS53301	Spring arm JS53302	Bracket JS53303	Goose neck JE53492
3t 3-point	300	0.9m	1		1		1
	400/450	1.3m	1		1		1
5t 3-point	300	1.5m		1	2		2
	400	2.0m		1	2		2
	450	2.2m	2		2		2
7t 3-point	300	2.1m		1	1		1
	400	2.8m	1	1	2		2
	450	3.1m	1	1	2		2
9t 3-point	300	2.7m	2		2		2
	400	3.6m		2	2		2
	450	4.0m	3		3		3
11t 3-point	300	3.3m		2	2		2
	400	4.4m	2	1	3		3
	450	4.9m	1	2	3		3
13t 3-point	300	3.9m	3		3		3
	400	5.2m		3	4		4
15t 3-pt / trailed	400	6.0m	3	1	4		4
17t 3-pt / trailed	400	6.8m	1	3	4		4
19t 3-pt / trailed	400	7.6m	3	2	5		5
25t trailed	375	9.4m	7		7		7
27t trailed	375	10.0m	6	1	7		7

## ROVIC - Seedbed Rollers (Secondary Cultivation)

### Seedbed Rollers (Rovic)

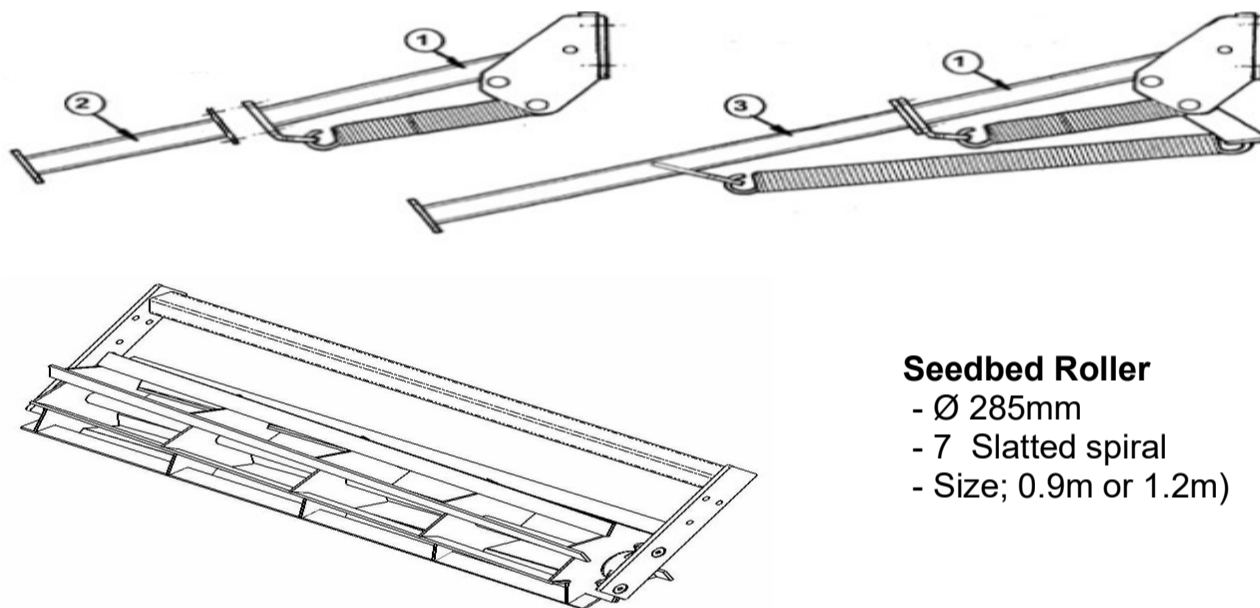
Ideally suited for Secondary Cultivation implements, 150 - 175mm working depth (Seedbed preparation) but in certain soil conditions (Light sandy soil) the Rollers can be fitted to Primary working implements from 300 - 475mm working depth.

#### 590 Edge & S-Tine Headstock

- 1 = JD60007 (Headstock)
- 2 = JD60056 (30cm Extension, optional for wing-fold)

#### Super & DLB Tine Headstock

- 1 = JD60007 (Headstock)
- 3 = JD60071 (720cm Extension)



#### Seedbed Roller

- Ø 285mm
- 7 Slatted spiral
- Size; 0.9m or 1.2m

### Seedbed Roller individual components (Rovic)

Part no.	Description
JD60030	0.9m Medium duty seedbed roller (Ø285mm, 7 Slatted spiral)
JD60027	1.2m Medium duty seedbed roller (Ø285mm, 7 Slatted spiral)
JD60007 (1)	Headstock, 44kg downward force. (For both 'S', 580, Super & DLB tines)
JD60056 (2)	Extension, 30cm, reduces 44kg to 38kg downward force (For 'S' & 580 edge on tines)
JD60071 (3)	Extension, 720cm, increases 44kg to 60kg downward force (Must be used for Super / DLB)

#### Note!

- a) Seedbed rollers can bolt together to reduce the amount of headstocks required.
- b) Depending on the application a minimum of two headstocks must always be used.  
 i.e - 1 x Seedbed roller (Two headstocks) 2 x Seedbed rollers bolted together (Min. 2 x headstocks)

**Note!** Suggested layout of 'Seedbed Rollers' on implements but can be changed to suit individual requirements

### S-Tine Medium Duty (150mm working depth)

#### MKII - Handicult (3-Point)

Part no.	w/width m	0.9m roller JD60030	1.2m roller JD60027	Headstock JD60007	30cm ext JD60056	720cm ext JD60071
JSD3200-1.6M	1.6m	2		4		
JSD3200-2.9M	2.9m	2	1	6		
JSD3200-3.5M	3.5m	4		8		
JSD3200-4.7M	4.7m	4	1	10	6	

#### MKIV - Fieldspan (Trailed)

JSS3100-5.7M	5.7m	1	4	10	6	
JSS3100-7.5M	7.5m	3	4	14	6	
JSS3100-9.3M	9.3m	5	4	18	6	
JSS3100-11.2M	11.2m	7	4	22	6	

**590 Edge-On and HD S-Tine (175mm working depth)**

**Trash Handicult (3-Point)**

Part no.	w/width m	0.9m roller JD60030	1.2m roller JD60027	Headstock JD60007	30cm ext JD60056	720cm ext JD60071
JV55985	2.9m	2	1	6		
JV55990	5.2m	2	3	10		
JV56000	7.0m	4	3	14		

**Trash Fieldspan (Trailed)**

JSS3000-8.6M (5 Balk)	8.6m	7	2	18	6	
JSS3000-9.8M (4 Balk)	9.8m	7	3	20	8	
JSS3000-12.2M (4 Balk)	12.2m	7	5	24	8	
JF58195 (6 Rank)	8.7m	4	5	18	6	
JF58200 (6 Rank)	10m	2	7	18	6	
JF58700 (6 Rank)	12m	4	8	24	8	
JF58600 (6 Rank)	15m	2	11	26	8	

**DLB 12 Chisel plough (300mm working depth)**

Frame	w/width m	0.9m roller JD60030	1.2m roller JD60027	Headstock JD60007	30cm ext JD60056	720cm ext JD60071
5t 3-point	1.5m	2		4		4
7t 3-point	2.1m		2	4		4
9t 3-point	2.7m	2	1	6		6
11t 3-point	3.3m	4		8		8
13t 3-point	3.9m	2	2	8		8
15t 3-point	4.5m	4	1	10		10

19t 3-pt / folding	5.7m		5	10	6	10
21t 3-pt / folding	6.3m	6	1	14	10	14
23t 3-pt / folding	6.9m	4	3	14	10	14

23t Trailed / folding	6.9m	4	3	14	6	14
25t Trailed / folding	7.5m	2	5	14	6	14
27t Trailed / folding	8.1m	4	4	16	8	16

**SUPER / DLB 19 Rippers (475mm working depth)**

Frame	spacing mm	w/width m	0.9m roller JD60030	1.2m roller JD60027	Headstock JD60007	30cm ext JD60056	720cm ext JD60071
3t 3-point	300	0.9m		1	2		2
	400/450	1.3m	2		4		4
5t 3-point	300	1.5m	2		4		4
	400	2.0m		2	4		4
	450	2.2m		2	4		6
7t 3-point	300	2.1m		2	4		4
	400	2.8m	1	2	6		6
	450	3.1m		3	6		6
9t 3-point	300	2.7m	2	1	6		6
	400	3.6m	3	1	8		8
	450	4.0m	1	3	8		8
11t 3-point	300	3.3m	4		8		8
	400	4.4m	4	1	10		10
	450	4.9m	2	3	10		10
13t 3-point	300	3.9m	2	2	8		8
	400	5.2m	5	1	12		12

15t 3-pt / traile	400	6.0m	3	3	12	8	12
17t 3-pt / traile	400	6.8m	4	3	14	6	14
19t 3-pt / traile	400	7.6m	6	2	16	8	16

25t traile	375	9.4m	4	5	18	10	18
27t traile	375	10.0m	2	7	18	10	18