



The discreet brown tubing applies water at a slow consistent rate, minimising run-off and water wastage. Drip Eze is ideal for high density planting areas, intricately shaped landscape beds, median strips and garden beds where overspray cannot be tolerated and can be mulched without loss of flow.

FEATURES & BENEFITS

4mm and 13mm ID Tube

Drip Eze is available in 4mm and 13mm tube to suit a variety of landscape applications. Use with Australian standard poly fittings.

Classic & Pressure Compensating

Select from classic (NPC) or pressure compensating (PC) tube to suit the landscape requirements. PC provides even water application over steep and undulating terrain and allows for longer runs.

1.6 Lph, 2 Lph and 8 Lph Flow Rates

Drip Eze applies water slowly to penetrate the root zone. Select from a range of spacings to suit your requirements.

Clog minimisation

Two directly opposed outlet holes minimise chance of clogging.

Visible Emitter

The clearly visible emitter is easily aligned with plants for targeted watering and can be avoided when cutting through the tube, making it easier to insert the poly fittings.

Drip Eze®



Select from 4mm or 13mm tubing to suit a range of applications. 13mm available in both classic and pressure compensating.

Enviro-Drip®



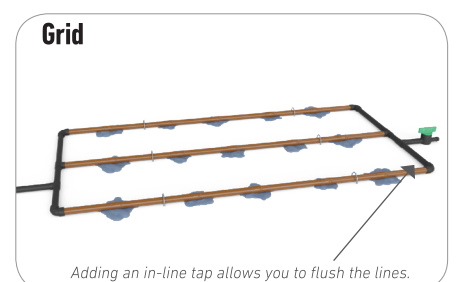
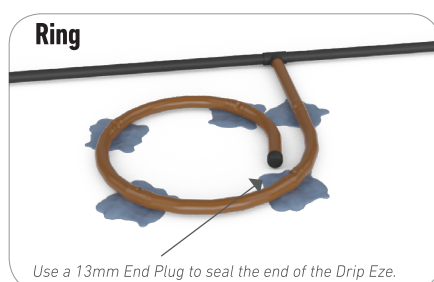
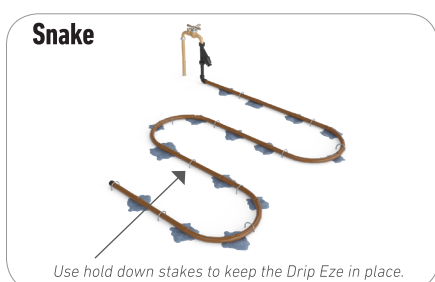
13mm lilac tubing for use with non-potable water. Available in classic and pressure compensating. Marked "Caution not for drinking"

Quickdrip™



Ideal for sandy soils and high density plantings, high flow 8 Lph classic drip tubing.

TYPICAL INSTALLATION METHODS

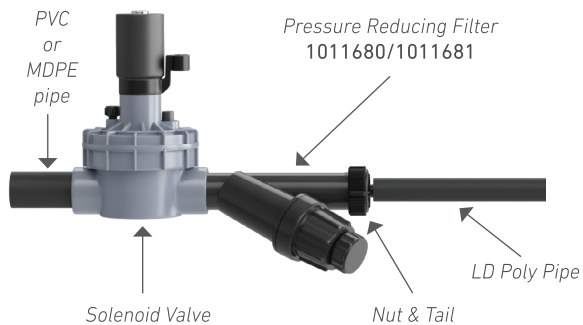


TIP: Flush the Drip Eze before 1st use to clear any debris that may have entered the tube during installation.

CONNECTION TO THE WATER SUPPLY

Automatic

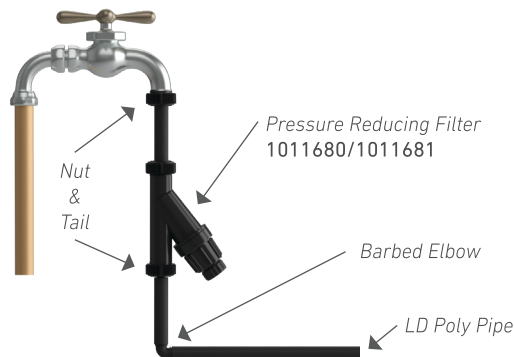
Connect Drip Eze line to home irrigation system for automated watering.



Irrigation controller turns Drip Eze on and off.

Manual

Turn Drip Eze system on and off from the garden tap.



Connect a manual or automatic tap timer to the tap, for greater watering control.

For best results, connections should always be secured with locking clamps.

SPECIFICATIONS

	Drip Eze				Enviro-Drip	Quickdrip
	4 mm NPC	13 mm NPC	13 mm PC	13 mm PC	13 mm PC	13 mm NPC
Tube inside diameter	4 mm	13 mm	13 mm	13 mm	13 mm	13 mm
Tube outside diameter	6 mm	15.4 mm	15.4 mm	15.4 mm	15.4 mm	15.4 mm
Discharge rate @ 100 kPa	2.0 Lph	2.0 Lph	1.6 Lph	2.0 Lph	2.0 Lph	8.0 Lph*
Emitter Spacing (cm)	15, 30	30, 40, 50, 60, 100	40	30, 40, 50, 60, 100	30	30
Recommended operating pressure range	100 kPa	100 kPa	100 - 300 kPa	100 - 300 kPa	100 - 300 kPa	100 - 300 kPa
Tube pressure rating	300 kPa					
Roll lengths (m)	25, 50, 100, 200 and 914	20, 50, 100, 200	50, 100, 200	20, 50, 100, 200	50, 100, 200	50, 100
Recommended filtration	Minimum 120 mesh screen					

Note: Not all spacings available in all roll lengths. Contact your Toro Representative for more information. *Quickdrip discharge rate at 200 kPa.

MAXIMUM RUN LENGTHS

Product	Flow Rate (Lph)	Emitter Spacing	Run Length (m) 120 kPa Input	Run Length (m) 200 kPa Input	Run Length (m) 300 kPa Input
4mm NPC**	2	0.15	4.5		
	2	0.30	8		
13mm NPC**	2	0.30	60		
	2	0.40	75		
	2	0.50	85		
	2	0.60	100		
	2	1.00	150		
	8	0.30		22	
13mm PC	1.6	0.40		100	125
	2	0.30		70	85
	2	0.40		90	105
	2	0.50		110	135
	2	0.60		125	160
13mm Enviro-Drip PC	2	1.00		200	255
	2	0.30		70	85

Note: All pressure compensating tube run lengths are based on a minimum operating pressure of 100 kPa, single laterals and flat ground.

**All non-compensating tube run lengths are based on a variation in discharge of: 10% of the nominal dripper flow rate, single laterals and flat ground.