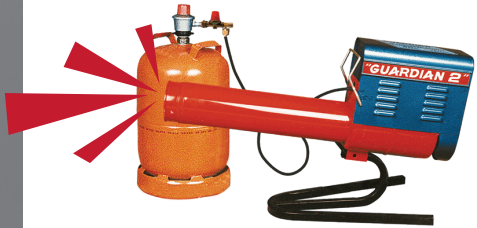




# PROPANE OR BUTANE POWERED AUTOMATIC BIRD SCARERS

## GUARDIAN-2 STANDARD



The GUARDIAN-2 models run on butane or propane gas, with which they can create loud explosions to protect crops and scare away birds, baboons and any other animal that might damage those crops. The explosions can be programmed to go off regularly, from every minute to every half hour, and the volume of the explosions can also be adjusted using the telescopic canon, within a range of 80 to 120 decibels.

The area that our bird scarers can protect is 3 to 4 hectares, depending on the type of crop and the terrain. The machine activates with a piezo-electric electronic system; the rest of the machine is mechanical, which makes it highly reliable and minimises possible faults or problems. The entire machine is zinc-plated so that it can withstand bad weather conditions. GEPAVAL have more than 60 years' experience manufacturing and exporting these products, which is why we are able to offer the highest quality and most effective method of protecting crops.



## GUARDIAN-2 ECO



The GUARDIAN-2 ECO model runs on butane or propane gas. The sonic explosions it produces help to protect crops, fruit trees and any other areas from which you need to frighten away birds and/or any other animals that are harmful to crops. The sonic explosions can be adjusted to go off with the desired frequency, ranging from one minute to half an hour.

Thanks to the special configuration of its canon, the explosions are always at 120 decibels, protecting an area of between 3 and 4 hectares, always subject to the type of crop and orography. The machine activates with a piezo-electronic system and the fact that the rest of the machine is fully mechanical helps to keep any potential faults to a minimum. As is the case with all our models, the machine is zinc-plated, which means it will continue to work even in very adverse weather conditions. Thanks to the reliability and effectiveness of our products, and our extensive experience in manufacturing and distributing them, we can guarantee that this is the best method for protecting your crops.

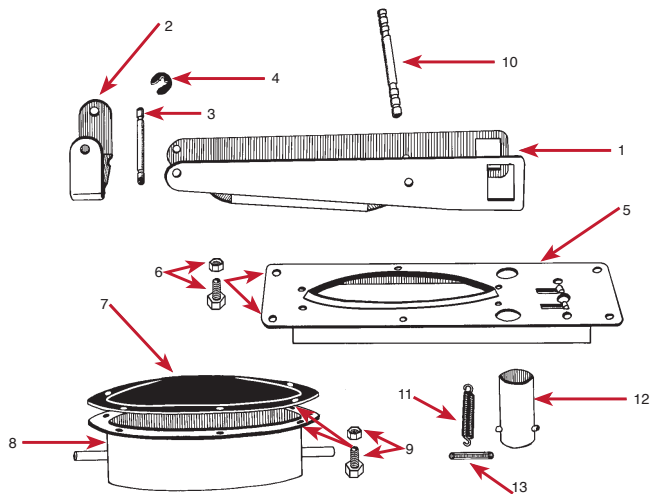
Keep birds away, the safe and smart way!

CPT 021 907 1700 | JHB 011 396 6200  
EXPORT +27 (0)11 396 6240  
WWW.ROVIC.COM



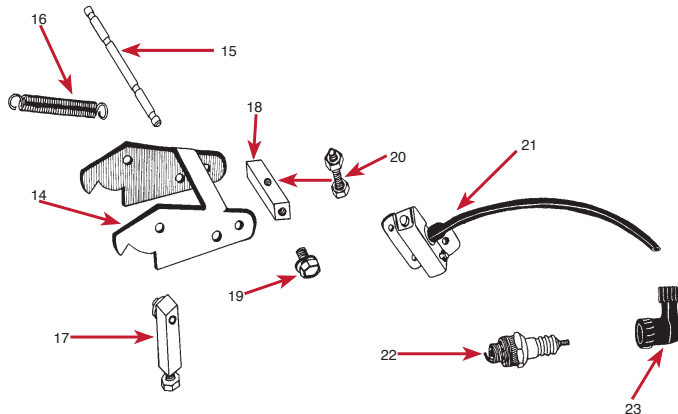
## MEMBRANE UNIT

- 1 Lever
- 2 Lever support
- 3 Lever axle
- 4 Seger axle
- 5 Base
- 6 Base fixing screws
- 7 Membrane
- 8 Membrane support
- 9 Membrane fixing screws
- 10 Axle return lever
- 11 Lever return springs
- 12 Return spring supports
- 13 Return spring bolts



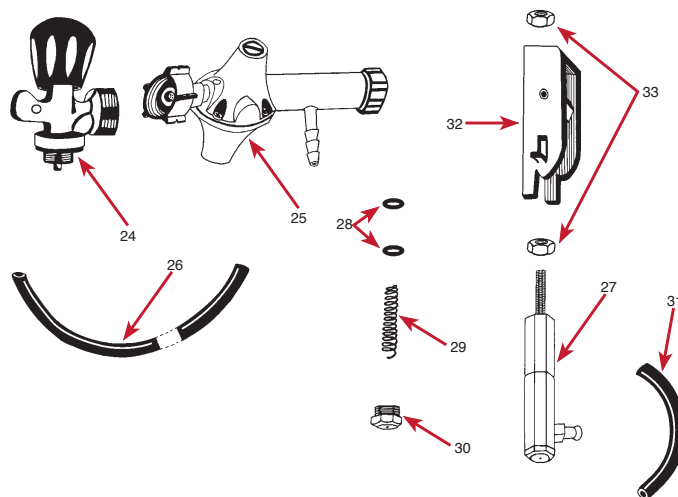
## FIRING UNIT & ELECTRONIC IGNITION

- 14 Firing
- 15 Firing axle
- 16 Firing springs
- 17 Firing supports
- 18 Striker support
- 19 Support screws
- 20 Striking screw
- 21 Electric part
- 22 Sparking plug
- 23 Sparking plug cap



## REGULATION UNIT

- 24 General shutoff cock
- 25 Pressure regulator
- 26 Gas inlet pipe



## VALVE UNIT

- 27 Complete Valve
- 28 Watertight joints
- 29 Axle valve return spring
- 30 Gas outlet jet
- 31 Membrane to valve joining pipe support
- 32 Valve control support
- 33 Valve axle fixing nuts



## GUARDIAN-2 SINGLE & DOUBLE ROTARY



## AUTOMATIC TIMER



The ideal accessory for all GUARDIAN-2 models.

The timer-watch can be used to start and stop the bird scarer automatically at the required times. It is fully waterproof and works on batteries, which guarantees minimal power consumption..

## SINGLE ROTARY

The most effective model, thanks to its automatic rotation system, changes the direction of the explosions by about 90° for each explosion.

The tripod lifts the machine up to 1.50 metres, providing greater propagation of sound and thus covering and protecting a larger area.

## DOUBLE ROTARY

The model with the best protection, recommended for large tracts of land containing crops and fruit trees. Each GUARDIAN-2 can be calibrated independently, to achieve different types of explosions in opposite directions. The telescopic tripod system can be used to regulate the height, from 1.60 to 2.30 metres, making it highly effective.

CPT 021 907 1700 | JHB 011 396 6200  
EXPORT +27 (0)11 396 6240  
WWW.ROVIC.COM

