



LG | Business
Solutions

UHD Commercial TV with Essential Smart Function

UU640C

LG Commercial Lite TVs are designed specifically for diverse business environments. Especially via compatibility with AV Control system and DPM^(Display Power Management) as well as its smart connectivity, simple user friendly interface, and ULTRA HD picture quality, the UU640C series enhances the ease of use while facilitating communications between businesses and their target audiences. Also, managers can improve management efficiency by using management features such as Content Manager, Group Manager, Wake On LAN, Simple Network Management Protocol.



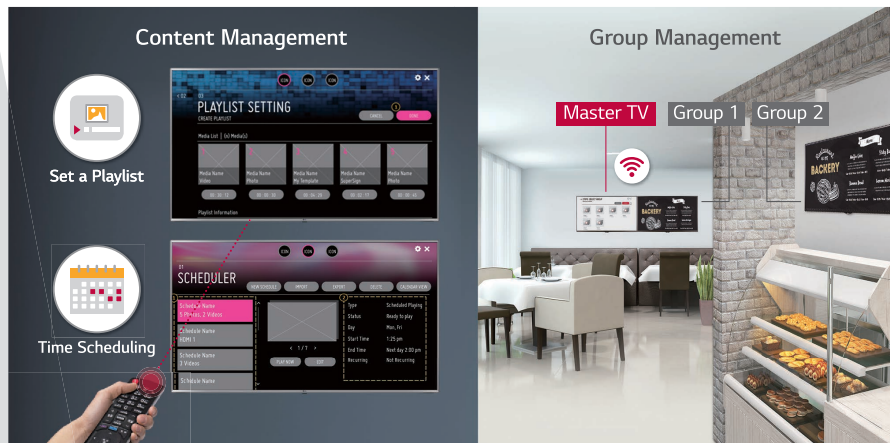
*Actual product appearance may differ from the above simulated scene.

UHD Commercial TV with Essential Smart Function UU640C

Simple Content Management

Embedded Content Management & Group Management

The embedded content management & group management system allows you to edit and play content, schedule a playlist and even group and control signages via remote control, mouse or even mobile phone, without needing a separate PC or software. This makes content management much easier and user-friendly.



* The scenes are simulated for illustrative purposes. Actual GUI may differ from the accompanying image.
** All displays must be connected to the same network.

USB Data Cloning

USB data cloning makes managing multiple displays more efficient for optimal operation, since users don't have to set up each display one by one. Once users copy data to a USB in one display, it will be easily distributed to others through a USB plug-in.



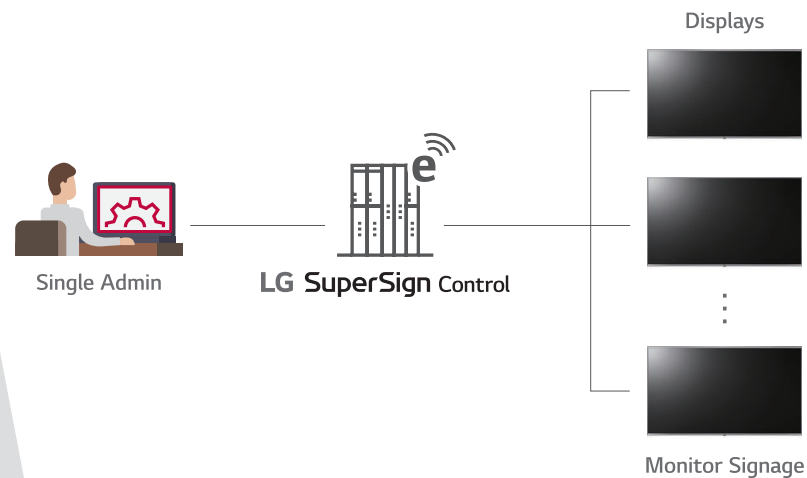
UHD Commercial TV with Essential Smart Function

UU640C

Value-added Software Solution

SuperSign Control

SuperSign control is a basic control software. Up to 100 displays are controlled by one account with a single server. Essential factors such as power, volume, scheduling can be remotely adjusted, with firmware updates supported.



Perfect Picture Quality and Color

Enjoy Full HD content in 4K ULTRA HD quality by 4K Upscaler. The 4K Upscale automatically upgrades Full HD content to ULTRA HD through several steps of the upscaling processes. Also, this LG TV can deliver intense highlights, vivid colors and deep black on the screen by HDR10.



- * SuperSign Control : Free version (Good at - Operating small and medium-sized signage displays)
- * SuperSign Control+ : Advanced and Paid version (Good at - Operating large-scale signage displays)
- * See more for SuperSign Control+ at LG.com/B2B

UHD Commercial TV with Essential Smart Function

UU640C

Easy Maintenance

Real-Time Remote Monitoring

In case of malfunctions or errors, real-time remote care is available. When an error occurs, a notification can be sent through the SNMP (Simple Network Management Protocol) protocol.

Power & Network in One Line

WOL (Wake-on-LAN) enables users to send a message through network to turn on displays. This simplifies the installation and maintenance processes as only a single wire is required for power and network connection.



UHD Commercial TV with Essential Smart Function UU640C

Better Usability - Meeting Room

Compatibility with AV Control Systems

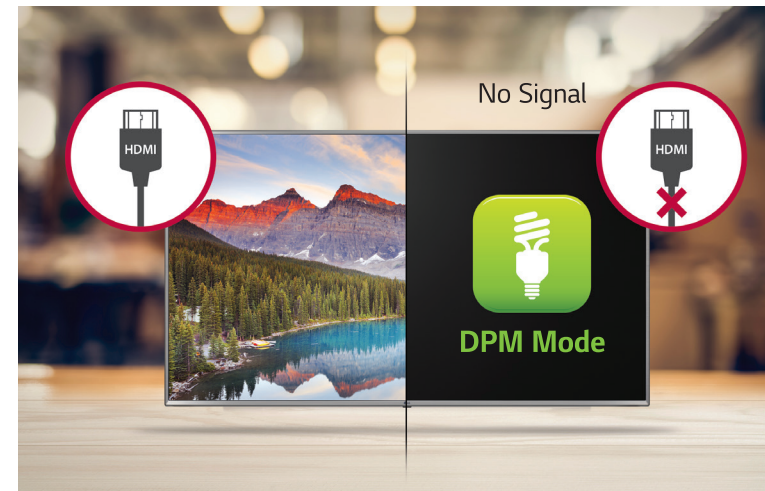
This LG TV has Crestron Connected® Certification, a function that is dedicated to office meeting room and meets the growing need in corporate meeting space market.



* It is a network based control system.
Available AV control systems may differ by regions.

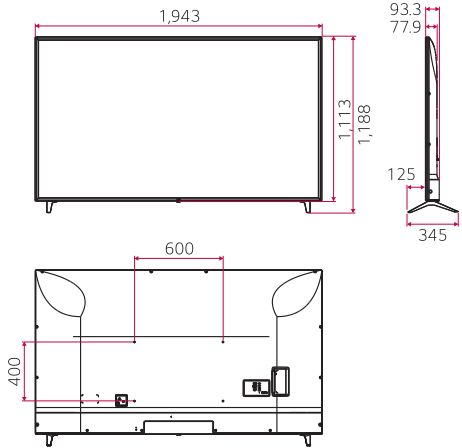
DPM (Display Power Management)

From now on, you can configure the DPM (Display Power Management) function by setting the function to on. When there is no signal, the TV enters to DPM mode to manage power efficiently.

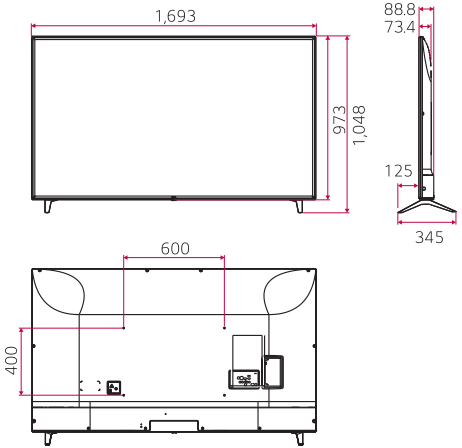


Dimensions (unit: mm)

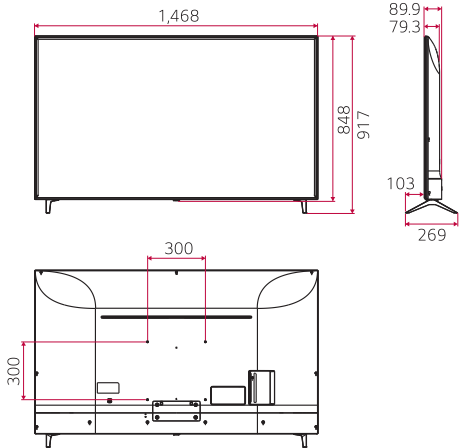
86"



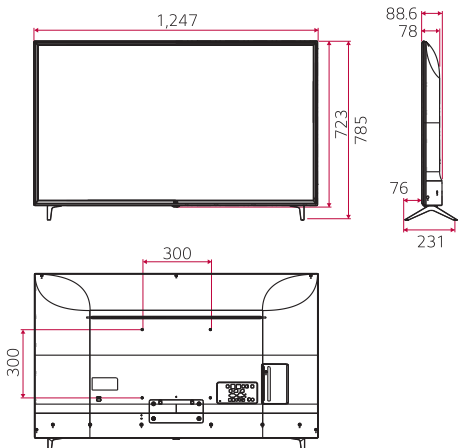
75"



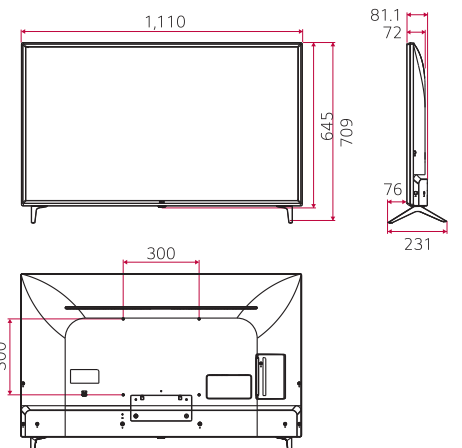
65"



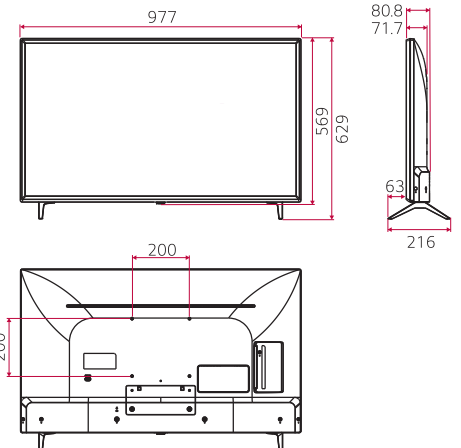
55"



49"



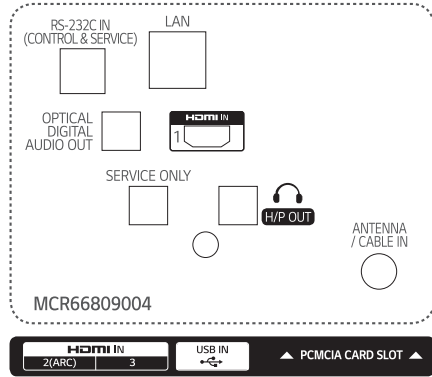
43"



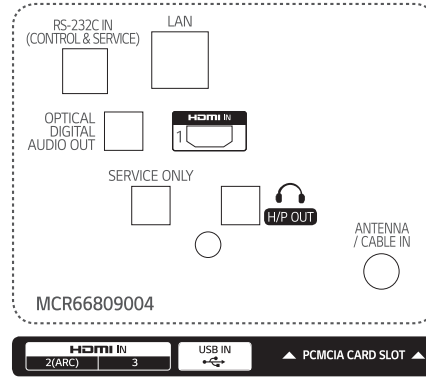
*UU640C (Asia) series basically have a two-pole stand, but it is able to detach the stand from the body, per service environment (can be used as a wall-mount unit).

Connectivity

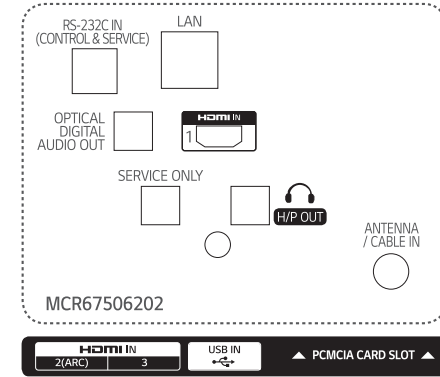
86"



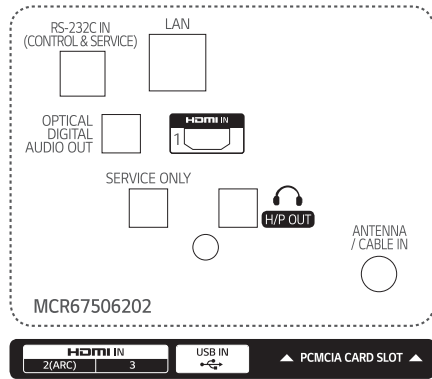
75"



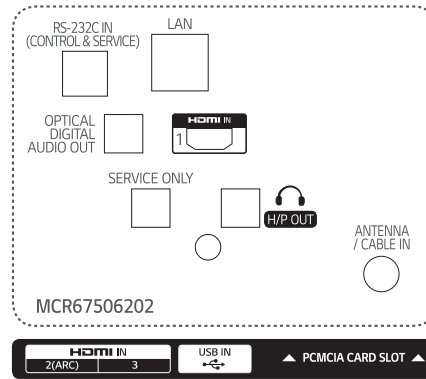
65"



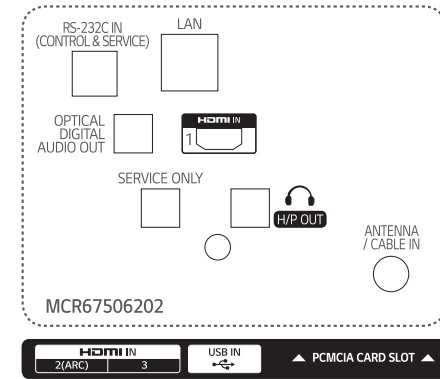
55"



49"



43"



*Dimensions & Jack Panels (Read/Side) may differ from the above image, so please contact LG salesteam to verify before ordering.

Specifications		86UU640C	75UU640C	65UU640C	55UU640C	49UU640C	43UU640C
PANEL	Screen Size	86"	75"	65"	55"	49"	43"
	Backlight Type	Trident	Trident	Trident	Trident	Direct	Direct
	Resolution	3,840 x 2,160 (4K UHD)	3,840 x 2,160 (4K UHD)	3,840 x 2,160 (4K UHD)	3,840 x 2,160 (4K UHD)	3,840 x 2,160 (4K UHD)	3,840 x 2,160 (4K UHD)
	Brightness (cd/m ²)	350	350	350	500	400	400
	Dynamic Contrast Ratio (Dynamic MCI (Hz))	1,000,000:1	1,000,000:1	1,000,000:1	1,000,000:1	1,000,000:1	1,000,000:1
	Static (Panel) Contrast Ratio	1400:1	1400:1	1300:1	1300:1	1200:1	1200:1
	Viewing Angle Degree	178 x 178	178 x 178	178 x 178	178 x 178	178 x 178	178 x 178
Response Time (G to G, ms)	5	8	9	9	8	6	
BROADCASTING SYSTEM	Analog	• (PAL/SECAM)	• (PAL/SECAM)	• (PAL/SECAM)	• (PAL/SECAM)	• (PAL/SECAM)	• (PAL/SECAM)
	Digital	• (varied by countries)	• (varied by countries)	• (varied by countries)	• (varied by countries)	• (varied by countries)	• (varied by countries)
VIDEO	XD Engine	•	•	•	•	•	•
	Aspect Ratio	• 5 modes (16:9, Original, 4:3, Vertical Zoom, All-Direction Zoom)					
	HDR 10 / HDR Dolby Vision	• / -	• / -	• / -	• / -	• / -	• / -
	Audio Output	10W + 10W	10 W + 10 W	10 W + 10 W	10 W + 10 W	10 W + 10 W	10 W + 10 W
AUDIO	Speaker System	2.0 ch	2.0 ch	2.0 ch	2.0 ch	2.0 ch	2.0 ch
	Sound Mode	• 6 modes (Standard, Cinema, Clear Voice III, Sports, Music, Game) • 6 modes (India only) (Standard, Bollywood, Clear Voice III, Sports, Music, Game)					
	Clear Voice	• (Clear Voice III)	• (Clear Voice III)	• (Clear Voice III)	• (Clear Voice III)	• (Clear Voice III)	• (Clear Voice III)
	Adaptive Sound Control	•	•	•	•	•	•
	Audio Channel	•	•	•	•	•	•
SMART FEATURE	webOS 4.0, Commercial Smart Home (Launcher Bar), Web Browser, Pre-loaded App (YouTube Only), Soft AP, Wi-Fi (ac), Screen Share (Miracast), DIAL, Bluetooth Audio Playback, LG Sound Sync/bluetooth, Mobile Connection Overlay, Music Player						
SUPERSIGN SW COMPATIBILITY ¹⁾	Content Management Software (CMS), Control and Monitoring Software (Control+), Simple Editor						
FUNCTION	USB Cloning, WOL (Magic Packet Only), SNMP, Diagnostics, SI Compatible, HDMI-CEC (1.4), HTNG-CEC (1.4), IR Out, Multi IR Code, Auto Off / Sleep Timer, Smart Energy Saving, Motion Eye Care						
HOSPITALITY FEATURES	Hotel Mode / PDM / Installer Menu, Lock Mode (Limited), Welcome Screen, Insert Image, One Channel Map, RJP Compatibility, Crestron Connected® (Network Based Control), RJP Interface, DPM, Time Scheduler / First Use, RTC, BEACON, Healthcare Headphone Mode, Embedded Content Manager / Group Manager						
JACK INTERFACE	Set Side	HDMI In 2.0 (2), USB 2.0, CI Slot					
	Set Rear	RF In, Digital Audio Out (Optical), HDMI/HDCP Input 2.0, RS-232C (Control & Service), Headphone Out, RJ (Ethernet), Debug (phone jack type)					
DIMENSION (UNIT : mm)	VESA Compatible	600 x 400	600 x 400	300 x 300	300 x 300	300 x 300	200 x 200
	W x H x D / Weight (with stand)	1,943 x 1,188 x 345 / 45kg	1,693 x 1,048 x 345 / 35.4kg	1,468 x 917 x 269 / 21.4kg	1,247 x 785 x 231 / 13.9kg	1,110 x 709 x 231 / 11.3kg	977 x 629 x 216 / 8.4kg
	W x H(H) x D / Weight (without stand) *H: Set	1,943 x 1,113 (1,118) x 77.9 (SPK 93.3) / 44.2kg	1,693 x 973 (978) x 73.4 (SPK 88.8) / 34.6kg	1,468 x 848 (854) x 79.3 (SPK 89.9) / 21kg	1,247 x 723 (729) x 78.0 (SPK 88.6) / 13.7kg	1,110 x 645 (650) x 72.0 (SPK 81.1) / 11.1kg	977 x 569 (575) x 71.7 (SPK 80.8) / 8.3kg
	W x H x D / Weight (Packing)	2,116 x 1,261 x 285 / 59kg	1,839 x 1,116 x 231 / 45.7kg	1,600 x 970 x 190 / 28.6kg	1,360 x 835 x 175 / 18.5kg	1,193 x 770 x 158 / 13.4kg	1,060 x 660 x 152 / 10.5kg
POWER (UNIT : WATTS)	Voltage, Hz	100 – 240 V, 50/60 Hz	100 – 240 V, 50/60 Hz	100 – 240 V, 50/60 Hz	100 – 240 V, 50/60 Hz	100 – 240 V, 50/60 Hz	100 – 240 V, 50/60 Hz
	Max	320.8	243.2	206	149.3	133.5	118.6
	Typical	306.4	218.9	178	124.1	107.9	92.6
	Energy Saving (Min/Med/Max)	199 / 130 / 54	156 / 107 / 51	TBD	88 / 63 / 35	75 / 55 / 33	68 / 52 / 33
Stand-by	0.5 ↓	0.5 ↓	0.5 ↓	0.5 ↓	0.5 ↓	0.5 ↓	

1) Software compatibility may change over time. Please contact LG sales representative for details.

*Specifications are subject to change without notice, so please contact LG salesteam to verify before ordering.

As a continuing policy of product development at LG Electronics, the design and specifications are subject to change. They may vary from model to model. Colour/shades may vary due to printing restrictions. E&OE.



LG B2B CUSTOMER CARE

1800-180-9898 (Toll Free)
5757554 (Send SMS)
www.lg.com/in/support

LG Service India Mobile App Available at Google Play

MOBILE APP

www.facebook.com/lgindiapage/
www.twitter.com/LGIndia

To know more about LG, visit www.lg.com/in
For B2B Solutions/Product enquiries, please write to b2b.solutions@lge.com
For B2B Service, please write to b2bsupport.india@lge.com



Regd. Office: LG Electronics India Pvt. Ltd., A Wing (3rd Floor), D-3, District Center, Saket, New Delhi-110017

CIN No. U32107DL1997PTC220109