



CombBind C150Pro & C250Pro

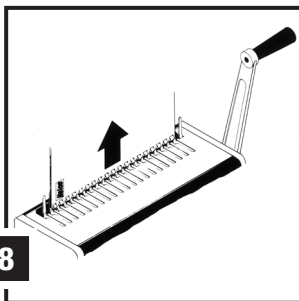
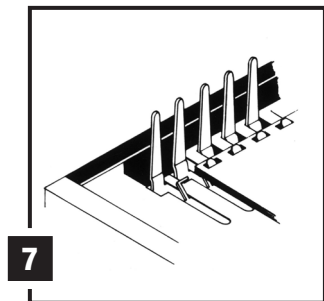
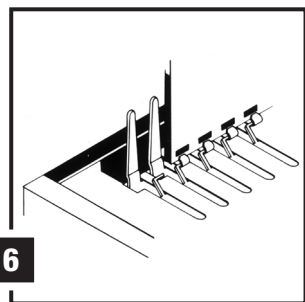
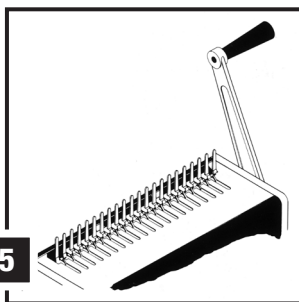
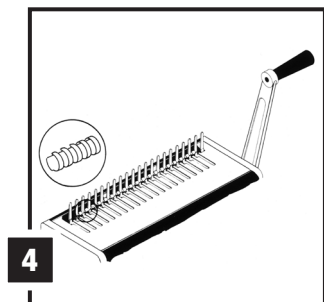
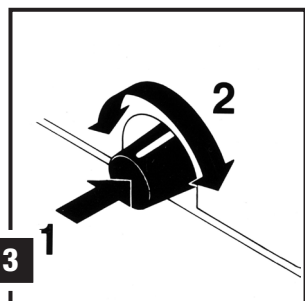
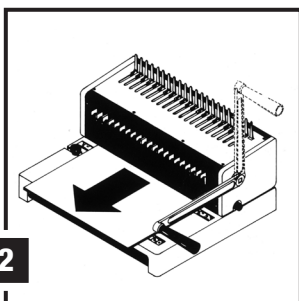
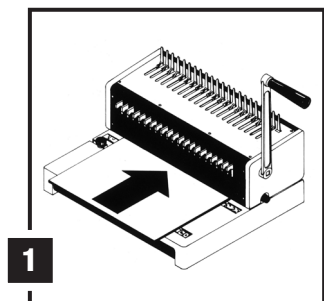
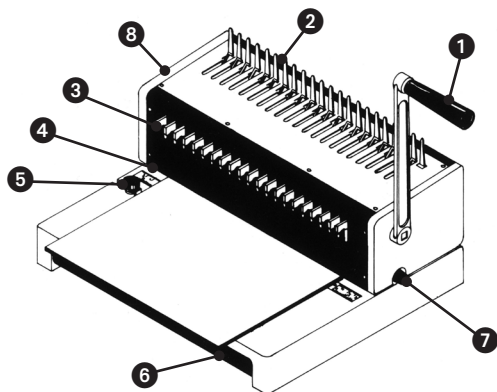
- (GB)** *Instruction Manual*
- (F)** *Manuel d'utilisation*
- (D)** *Bedienungsanleitung*
- (I)** *Manuale d'istruzioni*
- (NL)** *Gebruiksaanwijzing*
- (E)** *Manual de instrucciones*
- (P)** *Manual de Instruções*
- (TR)** *Kullanım Kılavuzu*
- (GR)** *Οδηγίες*
- (DK)** *Brugsvejledning*
- (FI)** *Käyttöopas*
- (NO)** *Bruksanvisning*
- (S)** *Bruksanvisning*
- (PL)** *Instrukcja obsługi*
- (CZ)** *Návod k obsluze*
- (H)** *Használati útmutató*
- (RUS)** *Руководство по эксплуатации*



ATTENTION

To register and activate
the warranty go to
www.accoeurope.com

| | |
|-------------------|-----------|
| English | 4 |
| Français | 5 |
| Deutsch | 6 |
| Italiano | 7 |
| Nederlands | 8 |
| Español | 9 |
| Português | 10 |
| Türkçe | 11 |
| Ελληνικά | 12 |
| Dansk | 13 |
| Suomi | 14 |
| Norsk | 15 |
| Svenska | 16 |
| Polski | 17 |
| Česky | 18 |
| Magyar | 19 |
| Русский | 20 |



Specifications

| | GBC CombBind C250Pro | GBC CombBind C150Pro |
|--|------------------------------|------------------------------|
| Operation Mode | Manual | Manual |
| Max. Punch Capacity per lift (80 gsm) | 20 | 20 |
| Max Punch Capacity per lift Foils/PVC Covers | 2 x Foils/PVC Covers (0.2mm) | 2 x Foils/PVC Covers (0.2mm) |
| Max. Approx. Binding Capacity (80 gsm) | 450 | 450 |
| Paper Formats | A4, A5, US Letter, | A4, A5, US Letter, |
| Max Binding Element Cap | 51mm | 51mm |
| De-Selector Pins | Full 21 disengageable | Fixed 21 Ring |
| Margin Depth Selector | ✓ | Fixed |
| Machine Dimensions mm (HxWxD mm) | 380 x 300 x 240 | 385 x 300 x 210 |
| Weight | 10.4kg | 8.7kg |
| Punching capacity, plastic foils | Max 2 foils of 0,2 mm each | Max 2 foils of 0,2 mm each |

Location of controls

- ➊ Punching Handle/Comb Opening Handle
- ➋ Comb Opening Teeth
- ➌ De-selectable punching pins (C250Pro Only)
- ➍ Punching Slot
- ➎ Paper Edge Guide
- ➏ Clippings Drawer
- ➐ Margin Adjuster (C250Pro Only)
- ➑ Comb Opening Lock (C250 Pro Only)

Setting up

- ➊ Attach the handle to the machine on the right side and thread the screw into the hole at the end of the square shaft to complete the installation.

Punching

- ➊ With the handle in the upright position, insert sheets into machine, making sure they are flush into the machine. (Use the side guide to adjust the position of the document before punching (fig. 1).
- ➋ Pull the handle down to punch. Return the handle to original upright position. Remove paper (fig. 2).

Note: The black knob on the right side of the machine is used to select the margin depth. This feature is ideal for thicker documents that require wider margins for easy page turning and more secure binding. (C250 Pro Only) (fig. 3).

Custom Binding

CombBind C250Pro has 21 de-selectable punching pins which make it possible to punch virtually any length of document. Simply select or deselect the pins to adjust the punching pattern as required.

Guarantee

Operation of this machine is guaranteed for two years from date of purchase, subject to normal use. Within the guarantee period, Acco Brands Europe will at its own discretion either repair or replace the defective machine free of charge. Defects due to misuse or use for inappropriate purposes are not covered under the guarantee. Proof of date of purchase will be required. Repairs or alterations made by

Binding

- ➊ Place binding element, open side up, behind metal fingers (fig. 4).
- ➋ Push handle to the rear to open rings (fig. 5).
- ➌ Insert paper vertically, front cover facing you (fig. 6).
- ➍ Lay down paper horizontally (fig. 7).
- ➎ Return handle to upright position to close rings.
- ➏ Lift vertically to remove bound document (fig. 8).

Note: The black knob on the left hand side of the machine can be set to lock in comb opening settings. The handle stops automatically at the same position each time for quicker operation during long binding runs. Simply turn the knob clockwise to open, pull handle to desired opening, then turn the knob counter-clockwise to lock. (C250 Pro only)

Maintenance

Always remember to regularly empty the drawer of clippings.

persons not authorised by Acco Brands Europe will invalidate the guarantee. It is our aim to ensure that our products perform to the specifications stated. This guarantee does not affect the legal rights which consumers have under applicable national legislation governing the sale of goods.