

# Roller Pumps

## Engineered for Excellence



### RollerPRO Series

Delavan Fluid Power RollerPRO pumps are the #1 field proven sprayer pumps in the industry capable of accepting a variety of liquids for different applications. Delavan designs, engineers and manufactures a wide variety of roller pumps to meet the widest range of needs our customers demand.

To ensure the best performance for your investment, we incorporate such features as "Ultra" rollers, heavy-duty sealed bearings, Viton seal rings, stainless steel shafts and rotors, and close tolerance machining. All standard. All Delavan RollerPRO pumps are 100% field serviceable saving you precious time and money when needing to replace rollers.



Replacing rollers in the field is as easy as 1, 2, 3



Loosen and remove the 4 bolts on end plate of pump and slide off.



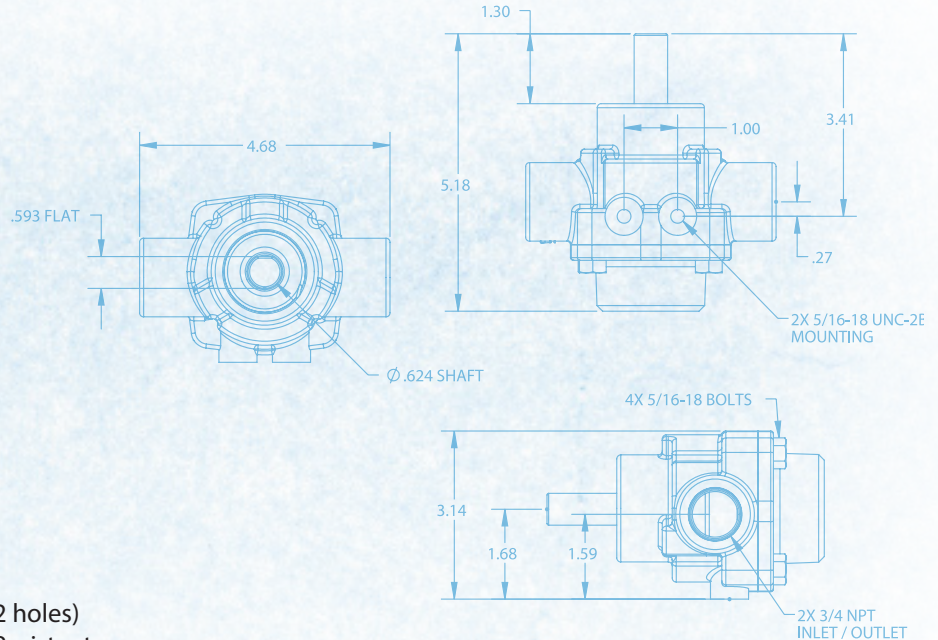
Replace rollers and rotor (if needed).



Slide on end plate, tighten bolts and go!







## RollerPRO– 4900 Series

- Pump Type:** 4-roller design
- Max Pressure:** 100 PSI
- Max Recommended Temperature:** 140°F
- Port Size:** 3/4" FNPT
- Mounting:** Base Mounted: 5/16" – 18UNC-2B (2 holes)
- Housing:** Cast Iron with Blue Epoxy Corrosion Resistant Paint or Diamond Stainless Steel
- Rollers:** Four 1/2" Ultra Rollers
- Shaft Seals:** Viton Cartridge Type Lip Seals
- Fasteners:** Stainless Steel
- Weight:** 6 lbs.
- Dimensions:** (W x D x H): 4-3/4" x 4" x 3.25"
- Shaft:** 4900C & 4901C, Extra Fine Finish 404 SST  
4900DSS & 4901DSS, Extra Fine Finish 416 SST
- Bearings:** Permanently-Lubricated, Heavy Duty Sealed Bearings
- Couplers:** 90000, 90200, 90400, 90600

## Performance

PSI	1800 RPM	2200 RPM	2600 RPM
0	6.3	7.7	9.2
20	5.8	6.9	8.5
40	5	6.2	7.9
60	4.4	5.6	7.5
80	3.8	5.2	7.2
100	3.4	4.8	6.8

## RollerPRO- 4 Rollers

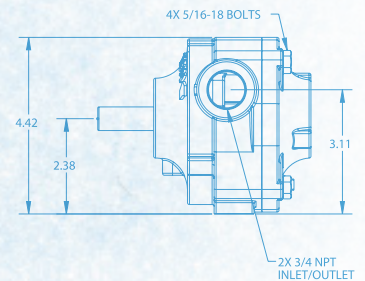
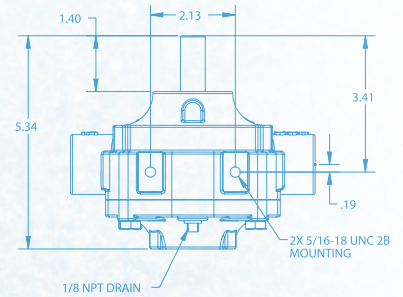
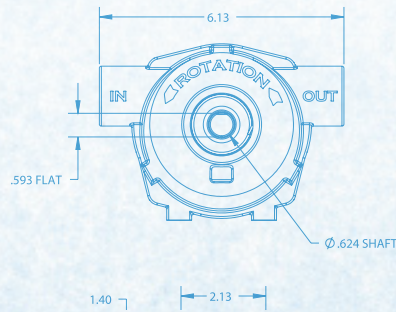
Part Number	Rollers	Flow	Casting	Shaft Size	Ports	Max Pressure	Power	Shaft Rotation
4900C	4	9.2 GPM	Cast Iron	5/8" Solid Shaft	3/4" FNPT	100 PSI	Gas Engine / PTO & Gear Box	Clockwise
4901C	4	9.2 GPM	Cast Iron	5/8" Hollow Shaft	3/4" FNPT	100 PSI	Gas Engine / PTO & Gear Box	Clockwise
4901C-M12	4	9.2 GPM	Cast Iron	5/8" Hollow Shaft	3/4" FNPT	100 PSI	12 VDC	Clockwise
4901DSS	4	9.2 GPM	Diamond Stainless Steel	5/8" Hollow Shaft	3/4" FNPT	100 PSI	Gas Engine / PTO & Gear Box	Clockwise
4901DSS-M12	4	9.2 GPM	Diamond Stainless Steel	5/8" Hollow Shaft	3/4" FNPT	100 PSI	Gas Engine / PTO & Gear Box	Clockwise
4900DSS	4	9.2 GPM	Diamond Stainless Steel	5/8" Solid Shaft	3/4" FNPT	100 PSI	12 VDC	Clockwise

## Repair Kits

Product Number	Repair Kits & Replacement Parts
RK-4900	Repair Kit 4900 Series Includes Ultra Rollers, Needle Bearing, Shaft Seals, O-Rings, Shaft Key and Instructions
RK-31410-RT	4900 Shaft and Rotor Repair Kit Includes: Rotor, Pill Key, Bearing, End Plate Insert, Seals (2), Shaft Ring, Pump Shaft
50102-1	12 VDC Motor For 4900 Series Electric Roller Pump

# Roller Pumps

## Engineered for Excellence



### RollerPRO– 6900 Series

- Pump Type:** 6-roller design
- Max Pressure:** 150 PSI
- Max Recommended Temperature:** 140°F
- Port Size:** 3/4" FNPT
- Mounting:** Base Mounted: 5/16" – 18UNC-2B (2 holes)
- Housing:** Cast Iron with Blue Epoxy Corrosion Resistant Paint or Diamond Stainless Steel
- Rollers:** Six 3/4" Ultra Rollers
- Shaft Seals:** Viton Cartridge Type Lip Seals
- Fasteners:** Stainless Steel
- Weight:** 8 lbs.
- Dimensions:** (W x D x H): 6" x 5.25" x 4.5"
- Shaft:** 6900C & 6901, Extra Fine Finish 404 SST  
6900DSS & 6901DSS, Extra Fine Finish 416 SST
- Bearings:** Permanently-Lubricated, Heavy Duty Sealed Bearings
- Couplers:** 90000, 90200, 90400, 90600

### Performance

PSI	540 RPM	1000 RPM	1200 RPM
0	10.5	19.6	22.8
20	9.7	19	22
40	8.6	18.4	21.3
80	8.1	17.5	20.5
100	6.9	16.3	19.7
150	5.5	15	18.9

### RollerPRO- 6 Rollers

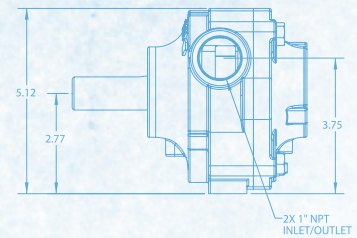
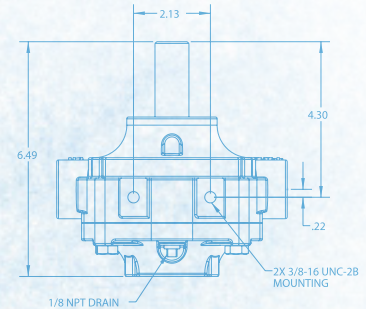
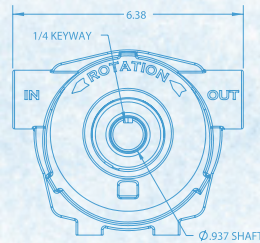
Part Number	Rollers	Flow	Casting	Shaft Size	Ports	Max Pressure	Power	Shaft Rotation
6900C	6	22.8 GPM	Cast Iron	5/8" Solid Shaft	3/4" FNPT	150 PSI	PTO	Counter Clockwise
6900C-R	6	22.8 GPM	Cast Iron	5/8" Solid Shaft	3/4" FNPT	150 PSI	PTO	Clockwise
6901C	6	22.8 GPM	Cast Iron	5/8" Hollow Shaft	3/4" FNPT	150 PSI	PTO	Counter Clockwise
6900DSS	6	22.8 GPM	Diamond Stainless Steel	5/8" Solid Shaft	3/4" FNPT	150 PSI	PTO	Counter Clockwise
6900DSS-R	6	22.8 GPM	Diamond Stainless Steel	5/8" Solid Shaft	3/4" FNPT	150 PSI	PTO	Clockwise
DPK-6900C	6	22.8 GPM	Cast Iron	5/8" Solid Shaft	3/4" FNPT	150 PSI	PTO	Counter Clockwise
DPK-6900DSS	6	22.8 GPM	Diamond Stainless Steel	5/8" Solid Shaft	3/4" FNPT	150 PSI	PTO	Counter Clockwise

DPK comes equipped with Coupler, Torque Bar & Chain, see page 33.

### Repair Kits

Product Number	Repair Kits
RK-6900	Repair Kit 6900 Series - Includes Ultra Rollers, Needle Bearing, Shaft Seals, O-Rings, Shaft Key and Instructions
RK-31610-RT	6900 Shaft and Rotor Repair Kit Includes: Rotor, Pill Key, Bearing, End Plate Insert, Seals (2), Shaft Ring, Pump Shaft





## RollerPRO– 7900 Series

- Pump Type:** 7-roller design
- Max Pressure:** 150 PSI
- Max Recommended Temperature:** 140°F
- Port Size:** 1" FNPT
- Mounting:** Base Mounted: 3/8" – 18UNC-2B (2 holes)
- Housing:** Cast Iron with Blue Epoxy Corrosion Resistant Paint or Diamond Stainless Steel
- Rollers:** Seven 3/4" Ultra Rollers
- Shaft Seals:** Viton Cartridge Type Lip Seals
- Fasteners:** Stainless Steel
- Weight:** 8 lbs.
- Dimensions:** (W x D x H): 6.5" x 6.5" x 5.25"
- Shaft:** 7900C, Extra Fine Finish 404 SST  
7900DSS-R, Extra Fine Finish 416 SST
- Bearings:** Permanently-Lubricated, Heavy Duty Sealed Bearings
- Couplers:** 90100, 90300, 90500, 90700

## Performance

PSI	540 RPM	1000 RPM	1200 RPM
0	15.2	17.7	22.5
20	14.5	17	21.8
40	13.6	16.2	21
80	12.8	15.6	20.7
100	12	15	20
150	11	14.5	19

## RollerPRO– 7 Rollers

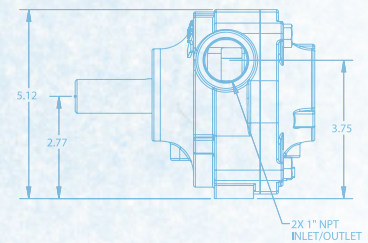
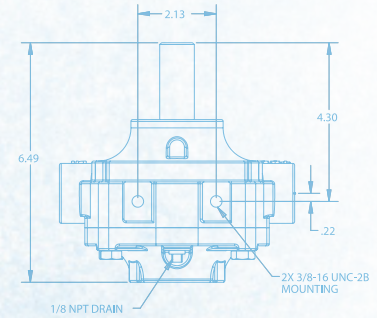
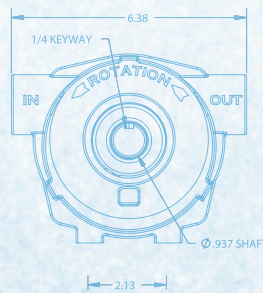
Part Number	Rollers	Flow	Casting	Shaft Size	Ports	Max Pressure	Power	Shaft Rotation
7900C	7	22.5 GPM	15/16 Solid Steel	15/16 Solid Steel	1" FNPT	150 PSI	PTO	Counter Clockwise
7900DSS	7	22.5 GPM	15/16 Solid Steel	15/16 Solid Steel	1" FNPT	150 PSI	PTO	Counter Clockwise

## Repair Kits

Product Number	Repair Kits
RK-7900	Repair Kit 7900 Series - Includes Ultra Rollers, Needle Bearing, Shaft Seals, O-Rings, Shaft Key and Instructions
RK-31710-RT	7900 Shaft and Rotor Repair Kit Includes: Rotor, Pill Key, Bearing, End Plate Insert, Seals (2), Shaft Ring, Pump Shaft

# Roller Pumps

## Engineered for Excellence



### RollerPRO– 8900 Series

- Pump Type:** 8-roller design
- Max Pressure:** 150 PSI
- Max Recommended Temperature:** 140°F
- Port Size:** 1" FNPT
- Mounting:** Base Mounted: 5/16" – 18UNC-2B (2 holes)
- Housing:** Cast Iron with Blue Epoxy Corrosion Resistant Paint or Diamond Stainless Steel
- Rollers:** Eight, 3/4" Ultra Rollers
- Shaft Seals:** Viton Cartridge Type Lip Seals
- Fasteners:** Stainless Steel
- Weight:** 9 lbs.
- Dimensions:** (W x D x H) 6" x 5.25" x 4.5"
- Shaft:** 8900 Series, Extra Fine Finish 404 SST  
8900DSS & 8901DSS Extra Fine Finish 416 SST
- Bearings:** Permanently-Lubricated, Heavy Duty Sealed Bearings
- Couplers:** 90100, 90300, 90500, 90700

### Performance

PSI	540 RPM	1000 RPM	1200 RPM
0	13	20.2	24
20	12.4	19.8	23.2
40	11.6	19.1	22.4
80	10.9	18.4	21.4
100	10.6	18.6	21.8
150	10	17.9	20.9

### RollerPRO- 8 Rollers

Part Number	Rollers	Flow	Casting	Shaft Size	Ports	Max Pressure	Power	Shaft Rotation
8900C	8	24 GPM	Cast Iron	15/16" Solid Steel	1" FNPT	150 PSI	PTO	Counter Clockwise
8900C-R	8	24 GPM	Cast Iron	15/16" Solid Steel	1" FNPT	150 PSI	PTO	Clockwise
8900DSS	8	24 GPM	Diamond Stainless Steel	15/16" Solid Steel	1" FNPT	150 PSI	PTO	Counter Clockwise
8900DSS-R	8	24 GPM	Diamond Stainless Steel	15/16" Solid Steel	1" FNPT	150 PSI	PTO	Clockwise
DPK-8900C	8	24 GPM	Cast Iron	15/16" Solid Steel	1" FNPT	150 PSI	PTO	Counter Clockwise
DPK-8900DSS	8	24 GPM	Diamond Stainless Steel	15/16" Solid Steel	1" FNPT	150 PSI	PTO	Counter Clockwise

DPK comes equipped with Coupler, Torque Bar & Chain, see page 33.

Product Number	Repair Kits
RK-8900	Repair Kit 8900 Series - Includes Ultra Rollers, Shaft Seals, O-Rings, Shaft Key and Instructions
RK-31810-RT	8900 Shaft and Rotor Repair Kit Includes: Shaft, Rotor, Pill Key, Shaft Seal, Ball Bearing



## RollerPro—Accessories



DPK-6900C

*Delevan top-quality Universal Repair Kits are always the perfect fix and perfect fit. We keep you up and running!*

Repair kits



Quick Couplers



### Universal Repair Kits (Fit Delevan Roller Pumps Made Before 2015 and Competitor Brands (Hypro))

Product Number	Description
44-4000RK	Universal Repair Kit 4 Roller - Includes 11/16" Ultra Rollers, Shaft Seals, Ring, Instructions
66-6500RK	Universal Repair Kit 6 Roller - Includes 11/16" Ultra Rollers, Shaft Seals, Ring, Instructions
70-7700RK	Universal Repair Kit 7 Roller - Includes 11/16" Ultra Rollers, Shaft Seals, Ring, Instructions
88-7560RK	Universal Repair Kit 8 Roller - Includes 11/16" Ultra Rollers, Shaft Seals, Ring, Instructions

### Quick Couplers

Product Number	Description
90000	1-3/8" PTO Quick Coupler, 9 Tooth, Dual Speed, 5/8" Shaft, Steel, (4900 & 6900 Series)
90100	1-3/8" PTO Quick Coupler, 9 Tooth, Dual Speed, 15/16" Shaft, Steel (7900 & 8900 Series)
90200	1-3/8" PTO Quick Coupler, 9 Tooth, Dual Speed, 5/8" Shaft, Aluminum (4900 & 6900 Series)
90300	1-3/8" PTO Quick Coupler, 9 Tooth Dual Speed, 15/16" Shaft, Aluminum (7900 & 8900 Series)
90400	1-3/8" PTO Quick Coupler, 21 Tooth, 1000RPM, 5/8" Shaft (4900 And 6900 Series)
90500	1-3/8" PTO Quick Coupler, 21 Tooth, 1000RPM, 15/16" Shaft (7900, 8900 & T90 Series)
90600	1-3/8" PTO Quick Coupler, 6 Tooth, 540RPM, 5/8" Shaft (4900 & 6900 Series)
90700	1-3/8" PTO Quick Coupler, 6 Tooth, 540RPM, 15/16" Shaft (7900, 8900 & T90 Series)
90800	1-3/4" PTO Quick Coupler, 20 Tooth, 1000RPM, 15/16" Shaft (7900, 8900 & T90 Series)

### Torque Bar And Chain

Product Number	Description
33680	Torque Bar And Chain (33680) Assembly, Roller Pumps