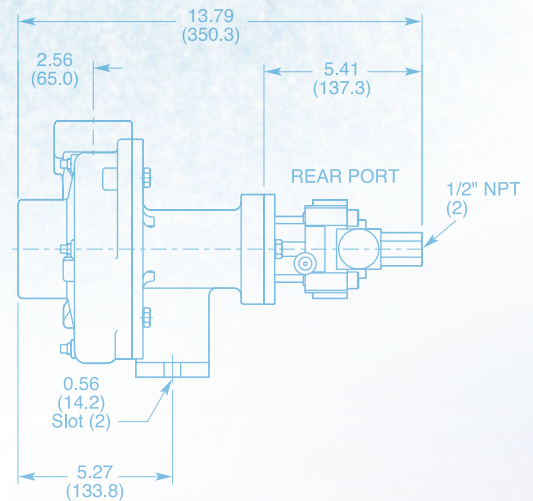
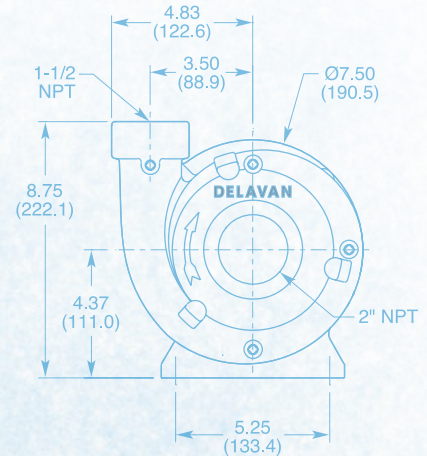


Centrifugal Pumps

Engineered for Excellence



HD Magnum— 95 to 245 GPM

Pump Type: Centrifugal

Max Pressure: 130 PSI

Max Recommended Temperature: 140°F

Pump Housing: Cast Iron or Stainless Steel

Impeller: Nylon (standard) or Polypropylene (optional)

Mechanical Seals/ Cast Iron: Viton/Ceramic Seals (standard)

Mechanical Seals/ Stainless Steel: Viton/Silicon Carbide (standard)

Motor Hydraulic Ports: 3/4" or 7/8" SAE x FNPT, Rear Ports

Motor Housing: Aluminum

Weight: 29 lbs.

Delavan HD Magnum pumps handle high capacity liquid transfer with ease.

Our heavy casing pumps increases the life of pump components by resisting corrosion and abrasion, assuring reliability in the field for years.



HD Magnum

Part Number	Flow	Casting	Ports	Impeller	Seals	Motor
M125C-PM37	95 GPM	Cast Iron	1-1/4 Inlet with 1" Outlet	Nylon	Viton/Ceramic Seals	PM37 - 7-10 GPM
M125C-PM37-VS	95 GPM	Cast Iron	1-1/4 Inlet with 1" Outlet	Nylon	Viton/Silicon	PM37 - 7-10 GPM
M125C-PM45	95 GPM	Cast Iron	1-1/4 Inlet with 1" Outlet	Nylon	Viton/Ceramic Seals	PM45 - 10-13 GPM
M125S-PM37	95 GPM	Stainless Steel	1-1/4 Inlet with 1" Outlet	Nylon	Viton/Silicon	PM37 - 7-10 GPM
M125S-PM45	95 GPM	Stainless Steel	1-1/4 Inlet with 1" Outlet	Nylon	Viton/Ceramic Seals	PM45 - 10-13 GPM

Part Number	Flow	Casting	Ports	Impeller	Seals	Motor
M150C-PM37	191 GPM	Cast Iron	1-1/2" Inlet with 1-1/4" Outlet	Nylon	Viton/Ceramic Seals	PM37 - 7-10 GPM
M150C-PM37-VS	191 GPM	Cast Iron	1-1/2" Inlet with 1-1/4" Outlet	Nylon	Viton/Silicon	PM37 - 7-10 GPM
M150C-PM45	191 GPM	Cast Iron	1-1/2" Inlet with 1-1/4" Outlet	Nylon	Viton/Ceramic Seals	PM45 - 10-13 GPM
M150C-PM45-VS	191 GPM	Cast Iron	1-1/2" Inlet with 1-1/4" Outlet	Nylon	Viton/Silicon	PM45 - 10-13 GPM
M150C-PM58	191 GPM	Cast Iron	1-1/2" Inlet with 1-1/4" Outlet	Nylon	Viton/Ceramic Seals	PM58 - 13-15 GPM
M150S-PM45	191 GPM	Stainless Steel	1-1/2" Inlet with 1-1/4" Outlet	Nylon	Viton/Silicon	PM45 - 10-13 GPM
M150S-PM58	191 GPM	Stainless Steel	1-1/2" Inlet with 1-1/4" Outlet	Nylon	Viton/Silicon	PM58 - 13-15 GPM

Part Number	Flow	Casting	Ports	Impeller	Seals	Motor
M200C-PM45	245 GPM	Cast Iron	2" Inlet with 1-1/2" Outlet	Nylon	Viton/Ceramic Seals	PM45 - 10-13 GPM
M200C-PM58	245 GPM	Cast Iron	2" Inlet with 1-1/2" Outlet	Nylon	Viton/Ceramic Seals	PM58 - 13-15 GPM
M200C-PM58-VS	245 GPM	Cast Iron	2" Inlet with 1-1/2" Outlet	Nylon	Viton/Silicon	PM58 - 13-15 GPM
M200S-PM58	245 GPM	Stainless Steel	2" Inlet with 1-1/2" Outlet	Nylon	Viton/Silicon	PM58 - 13-15 GPM

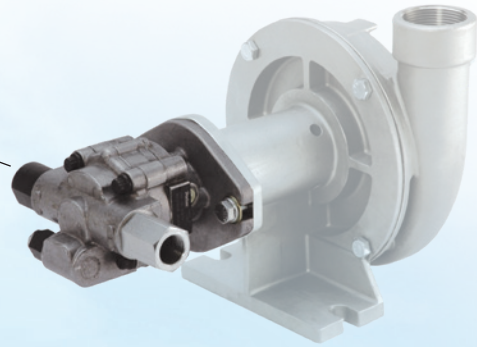


Performance

*Note: Smaller displacement motors on larger pumps can cause hydraulic motor pressure to exceed recommended manufacturer's specifications.

Pump Size	Hydraulic Motor Size	Hydraulic Oil Flow (GPM)	Pump Flow GPM @ Rate PSIG												
			10	20	30	40	50	60	70	80	90	100	110	120	130
M125	PM37	7	69	68	66	63	55	44	25	16					
		8	78	76	75	71	69	61	52	34	15				
		9	79	77	76	73	70	63	59	46	30	8			
M150	PM37*	7	155	144	127	105	65	21							
		8	175	170	161	145	126	104	78	43					
		9	180	172	163	151	138	115	88	64	39				
	PM45	11	180	173	165	152	136	123	101	82	61	32	8		
		12	185	177	169	160	151	138	121	103	82	63	45	11	
		13	191	182	174	168	159	145	133	117	101	86	60	36	
M200	PM58	13	172	165	159	148	136	124	106	86	66	37	12		
	PM45*	11	229	221	217	193	180	149	128	111	75	42	29		
		12	240	136	230	220	205	154	151	137	123	93	81	41	14
		13	245	238	229	216	199	186	167	146	122	108	76	55	17
	PM58	13	232	226	214	200	184	161	139	110	79	36			

Delavan Fluid Power exclusive hydraulic motor feature a compact easy to use design with the high operating efficiency to power your pumping requirements



Repair Kits

Product Number	Repair Kits & Replacement Parts
RK-M125VC	Ceramic Seal Assembly For Viton/Ceramic, Frame O-Ring Seal, Square Key
RK-M125VS	Silicone Seal Assembly For M125, Viton/Silicon, Frame O-Ring Seal, Square Key
RK-M215VC	Ceramic Seal Assembly For M150/M200, Viton/Ceramic, Frame O-Ring Seal, Square Key
RK-M215VS	Silicone Seal Assembly For M150/M200, Viton/Silicon, Frame O-Ring Seal, Square Key
35745	Gasket Repair Kit
I34-014	Shafts For M125 Pump
I37-014	Shafts For M150 & M200 Pumps
I34-005	Shaft Removal Key
I34-030	7-10 GPM HD Magnum PM37 3/4" Rear Ported Motor
I34-031	10-13 GPM HD Magnum PM45 3/4" Rear Ported Motor
I34-032	12-15 GPM HD Magnum PM58 7/8" Rear Ported Motor
I34-040	Impeller Assembly, 1-1/4" Nylon For M125 Size Pump
I34-043	Impeller Assembly, 1-1/4" Polypropylene For M125 Size Pump
I37-040	Impeller Assembly, 1-1/2" Nylon Without Insert For M150 Size Pump
I37-047	Impeller Assembly, 1-1/2" Poly Without Insert For M150 Size Pump
I39-040	Impeller Assembly, 2" Nylon For M200 Size Pump
I39-049	Impeller Assembly, 2" Polypropylene For M200 Size Pump

Hydraulic Motors

Delavan Hydraulic Motors are matched to HD Magnum Series Centrifugal pumps.



Rear Ports

Motor Flow (GPM)
 PM37: 7-10
 PM45: 10-13
 PM58: 12-15



Impeller

M125- M200 Series

HD Magnum Repair Kits

Kit contains appropriate seals, gasket hardware, and instructions.



RK-M215VS



RK-M215VC



Old Style Repair Kit # 35745